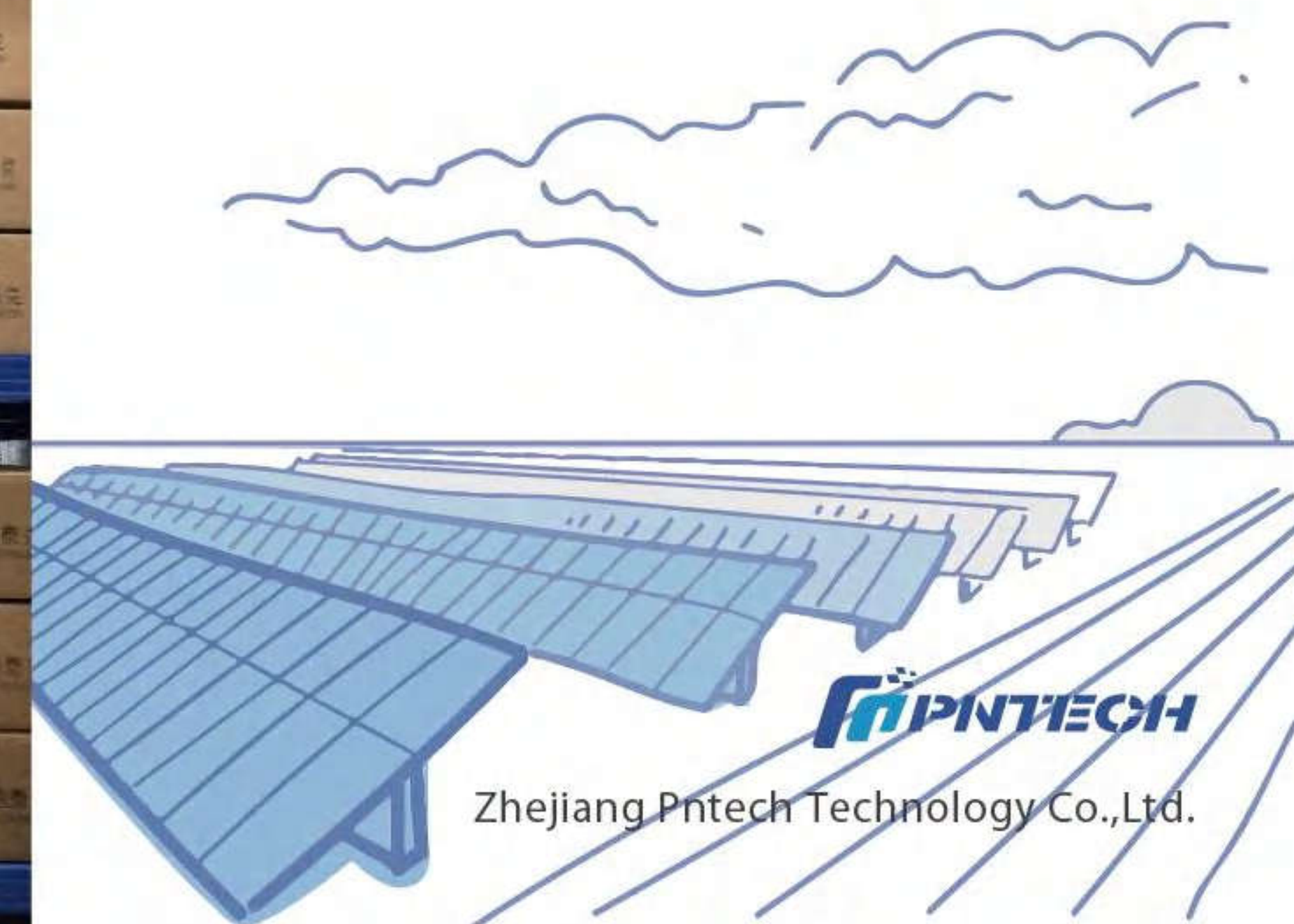




# INTEGRITY MANAGEMENT QUALITY RESPONSIBILITY

BRING QUALITY HOME  
ADD SUNSHINE TO PHOTOVOLTAIC



**PNTECH**

Zhejiang Pntech Technology Co.,Ltd.



▶ Jiangsu Shuning and Huawei Co-operation Project-1000kWp



▶ Ningbo Dongda Distributed Project Power Station



▶ Hebei Hengshui Adopt-a-Cow Dairy 3.2MW Project



▶ Zhejiang Xinyuan 0.63MWp Distributed Project



▶ 5MW project in Munich, Germany



▶ Ningbo Shuntian Liangyuan Distributed Project





▶ Hangzhou Bay SAIC Volkswagen Plant PV Project



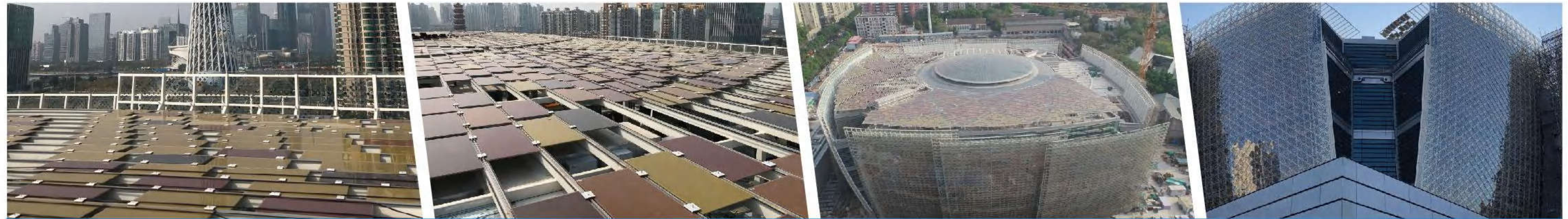
▶ Tianyi Plaza Green Low Carbon Parking Building

▶ Ninghai Lead for Vision Project



▶ Huawei Antoine Headquarters Building Project

▶ Ningxia Project



▶ Cadmium Telluride BIPV Project of Guangzhou Art Museum



▶ Heilongjiang 200MWp Ground Station Project



▶ The BAOJIANG Industrial Zone Project in Shaoxing



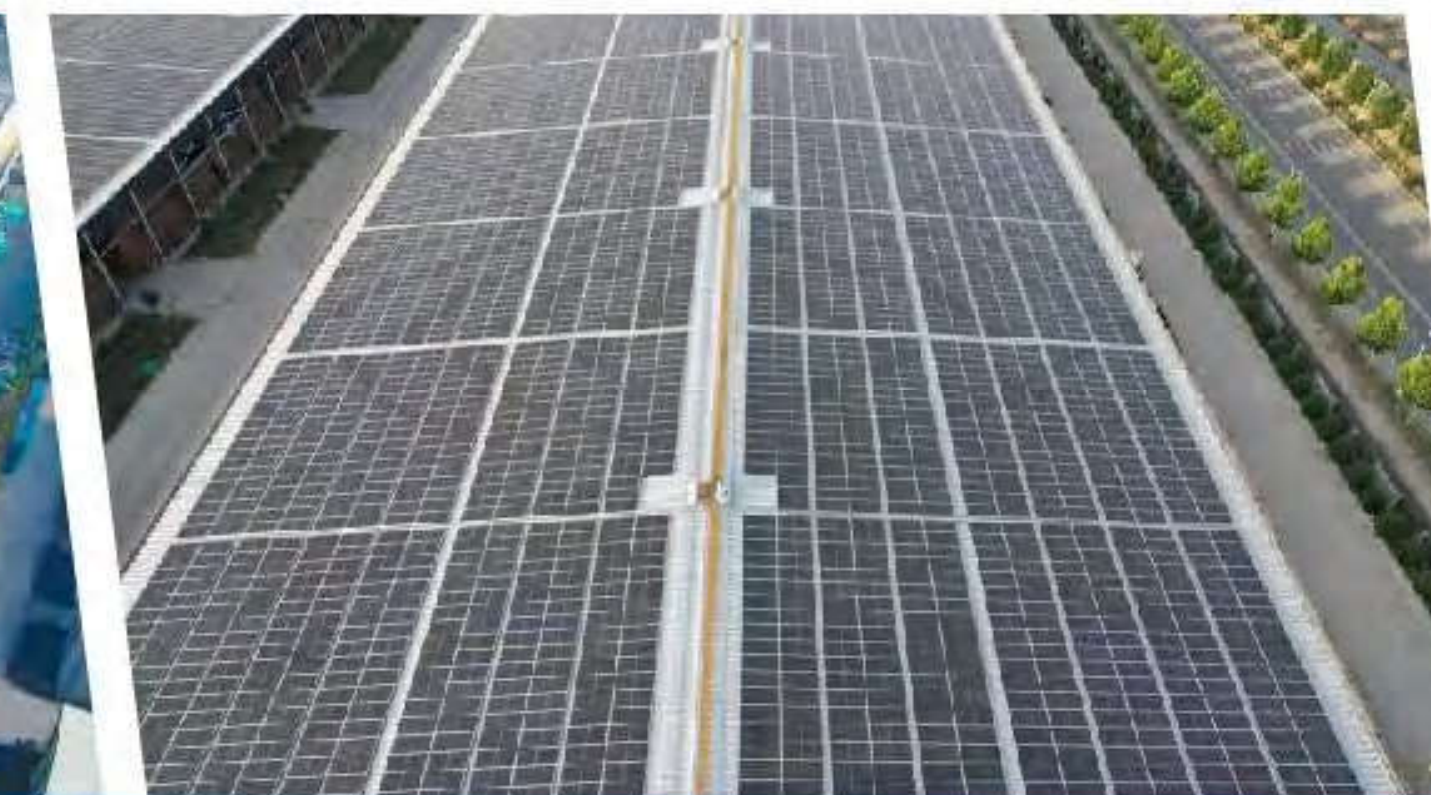
▶ PNTECH Plant Project



▶ Hebei Chengde Ground Power Station



▶ Ningbo Shenzhou Textile Factory Roof Project



▶ Ningbo Xiangshan 5.7 MWp Project



▶ Shaoxing 2MWp Surface Power Station



▶ Hainan Province, Qinghai Province Project



# Solar PV Professional Installation Tool Set (Model)

**C4K-L**



- Crimping Pliers(A-2546B)
- Wire Cutters
- Screw Driver × 2
- Nipper Pliers
- Cutting and stripping pliers
- Connector Spanner

**C4K-S**



- Crimping Pliers(LY-2546B)
- Cutting and stripping pliers
- Wire Stripper
- Connector Spanner

**C4K-C**

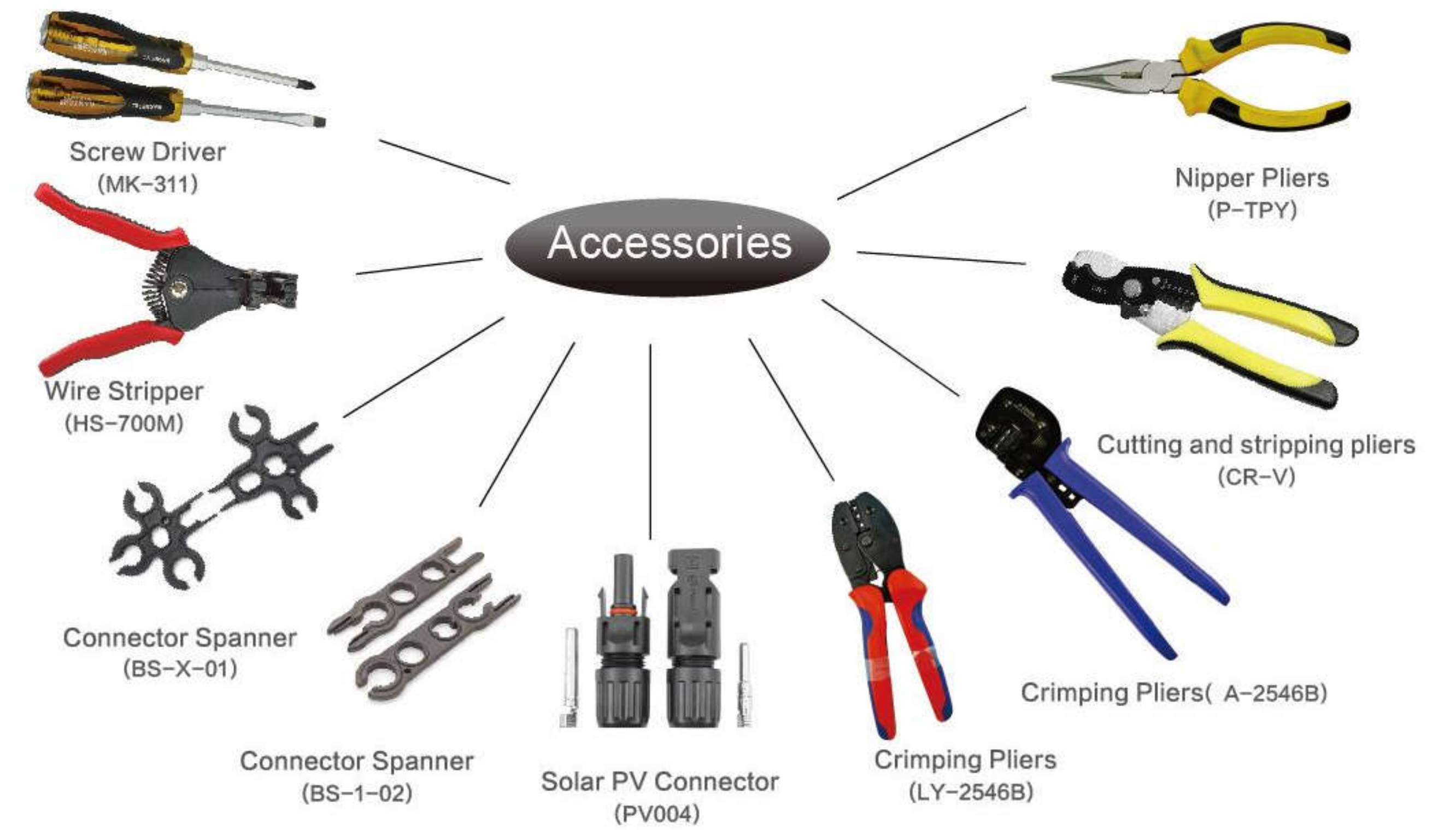


- Crimping Pliers(A-2546B)
- Wire Cutters
- Wire Stripper
- Connector Spanner

**C4K-D**



- Crimping Pliers(LY-2546B)
- Wire Cutters
- Wire Stripper
- Connector Spanner



## Steps To Use



Preparing the Tools



1. Cut the Wire



Use wire cutters to cut out the desired length



2. Wire Stripping



Use wire strippers to stripout the cable about 1cm



3. Crimping



Use crimping pliers to fix-copper terminals on the end of stripped cable.



4. Combination



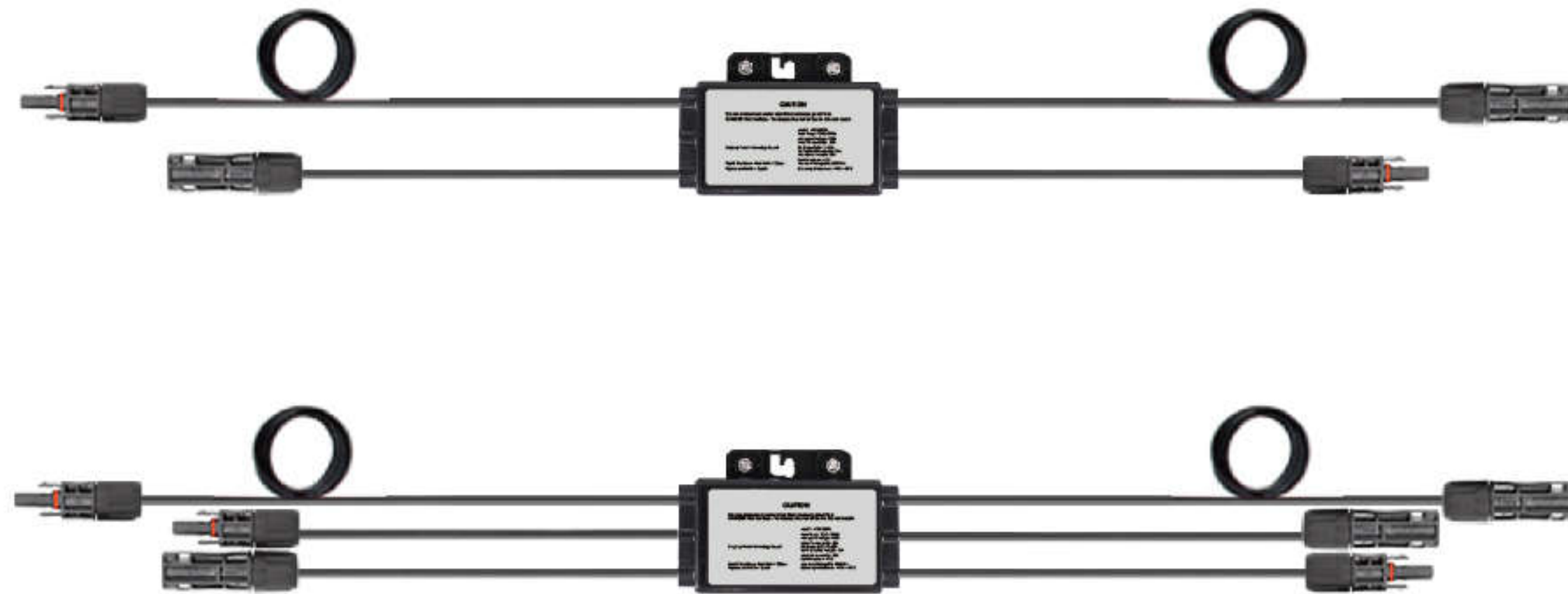
Insert the wire with copper terminal into the connector and use spanner to tighten the nut



5. Docking



Connect the positive and negative terminals of the connector, ensure that the latch is fully inserted and locked



Models	GS-RSD-80-20S	GS-RSD-80-20D	GS-RSD-80-25S	GS-RSD-80-25D
<b>Technical Data</b>				
No. of Input channels	Single Channel	Dual-channel	Single Channel	Dual-channel
No. of Output Channels	Single Channel			
Input Voltage	12-80V (Single Channel)			
Output Voltages	12-80V (Single Channel) / 12-160V (Dual-channel)			
Max. output current	20A		25A	
Max. short-circuit current	25A		30A	
Max. system voltage	1000V (1500V Selectable)			
Communication Method	PLC (SunSpec protocol)			
Shutdown Output Voltage	1V @ 10mA			
Power consumption	200 mW			
<b>Mechanical parameters</b>				
Input Connector	MC4 or MC4 compatible			
Input cable length	Single Channel 0.5 m / Dual-channel 0.5m (Support customisation)			
Output Connectors	MC4 or MC4 compatible			
Output cable length	Single Channel 1.2 m / Dual-channel 2.4m (Support customisation)			
Dimensions (without cable)	120 x 77 x 17mm (W*H*T)			
<b>Environmental parameters</b>				
Operating temperature range	-40°C to +85°C			
Outdoor rating	IP68 / NEMA6P			
<b>Approve</b>				
Security certification*	UL1741, CSA C22.2 No. 330-17, IEC/EN 62109-1			
Electromagnetic compatibility*	FCC Part15 Class B, ANSI C63.4, IEC/EN 61000-6-1/-2/-3/-4			
SUNSPEC&UL	YES			

## PRODUCT FEATURES

Rapid Shutdown is the core equipment in the module rapid shutdown solution of PV power generation system, which is connected with PV modules to realise the rapid shutdown function at the module level, in order to achieve the purpose of safe, reliable and stable operation of PV power generation system.

### Product Features

Fast shutdown: Component-level fast shutdown to ensure fire and O&M safety

Reliable communication: adopts broadband power line carrier communication technology

High efficiency: ultra-low power consumption, wide operating voltage range, maximum efficiency of 99.9 per cent

Convenient installation: compatible with bolt and snap fixing, plug and play

Active safety: real-time data monitoring, 0V shutdown voltage

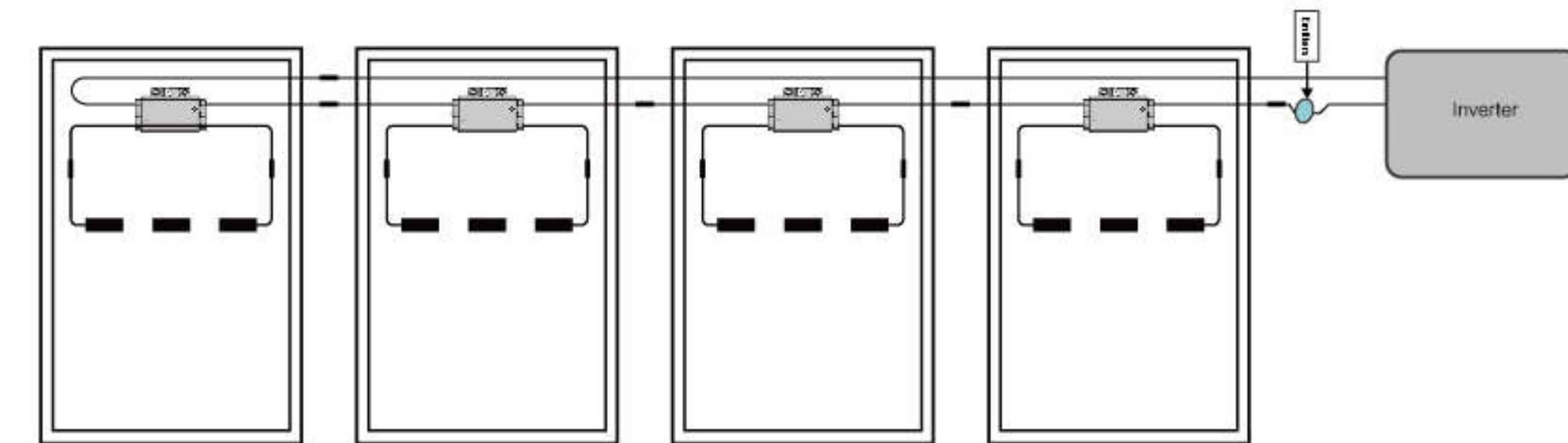
Flexible design: long string design

Highly reliable: IP68 dust and waterproof rating

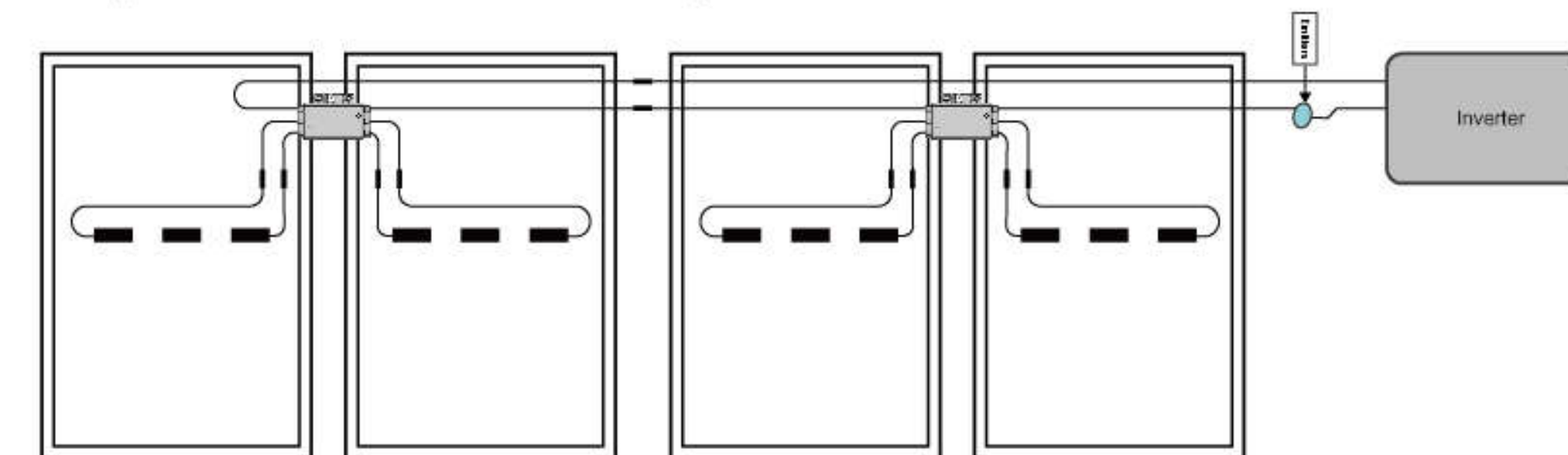
Intelligent O&M: Component-level data management and intelligent diagnostics

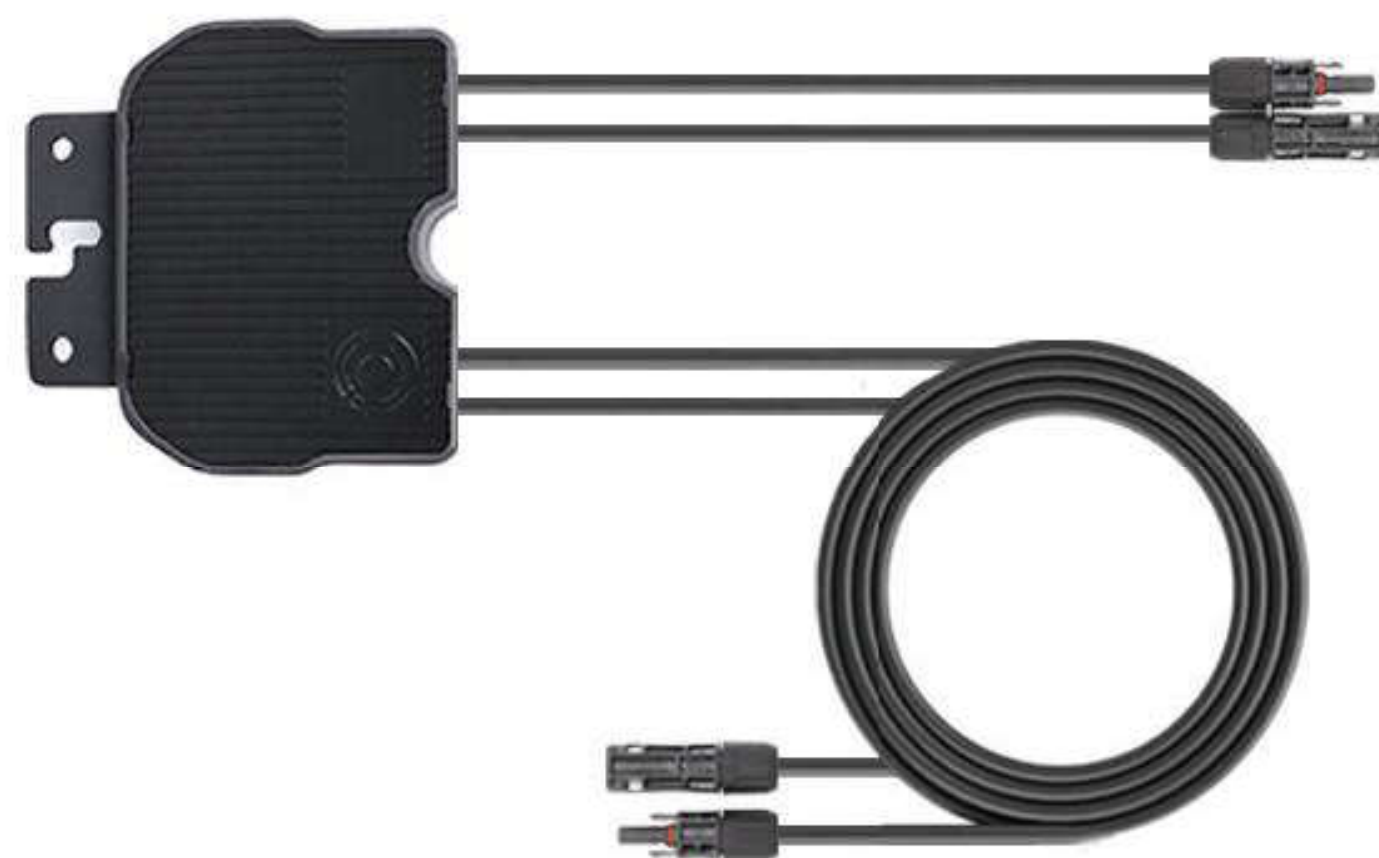
### Connecting the cable

For a PV system using a one-on-one shutdown product, as shown in the figure below, connect the output terminals of the PV modules to the input terminals of the shutdown, and connect the output of the shutdown to the string circuit.



PV system using one-two shutdown products, as shown in the figure below, connect the output terminals of two adjacent PV modules to the two input terminals of PV1 & PV2 of the one-two shutdown respectively, and then connect the outputs of the shutdown to the string circuit.





## PRODUCT FEATURES

### Safety

- Mitigates the mismatch loss of PV module in its service life
- Twenty-five years

### Convenience

- Clip-type design, Reliable fastening
- Easy disassembly and maintenance

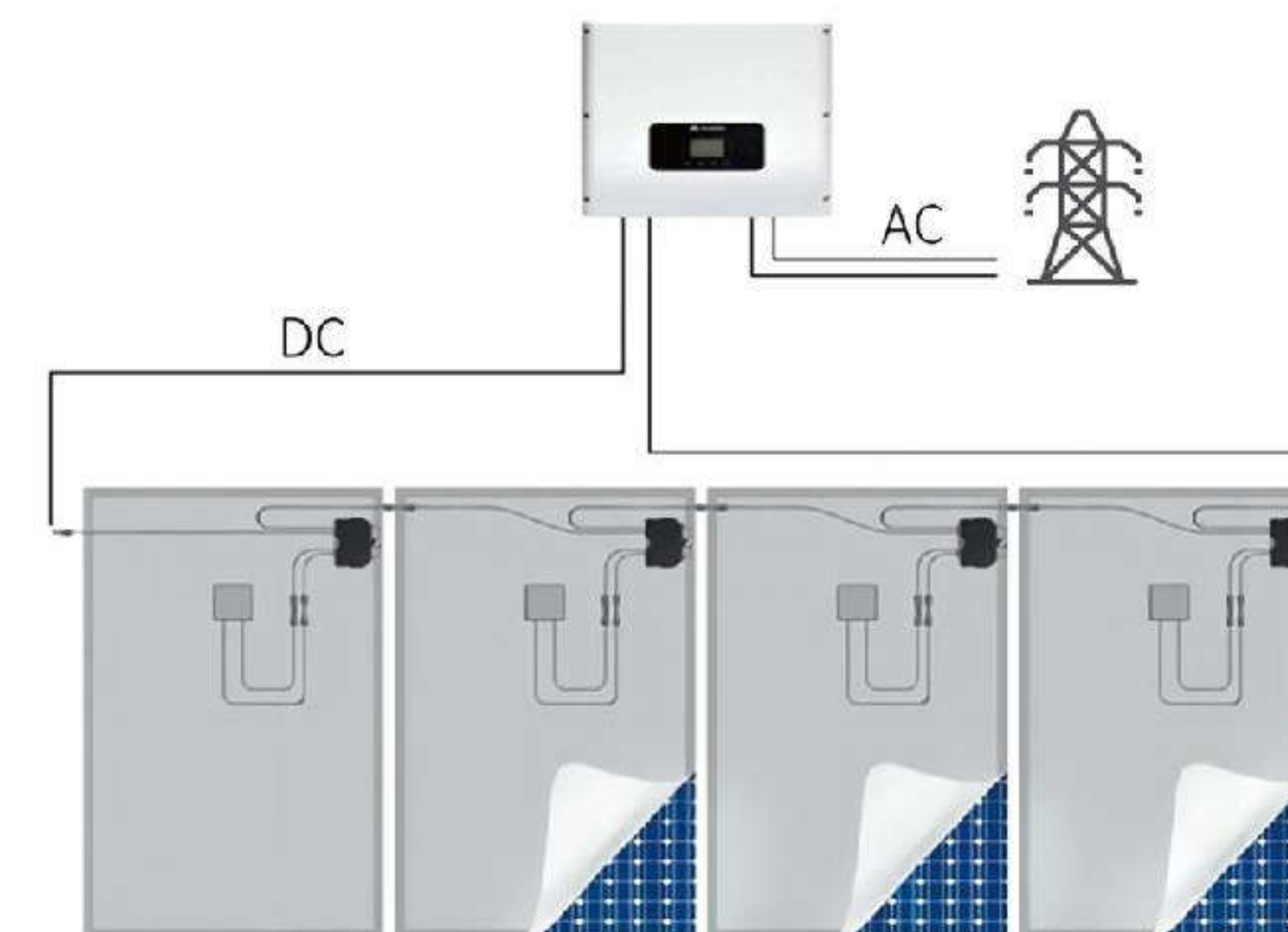
### High Efficiency

- Compatible with various PV module
- Designed to work in the complex and changeable installation sites
- 5-25% increase in power generation

## TECHNICAL DATA

### YH005-600W

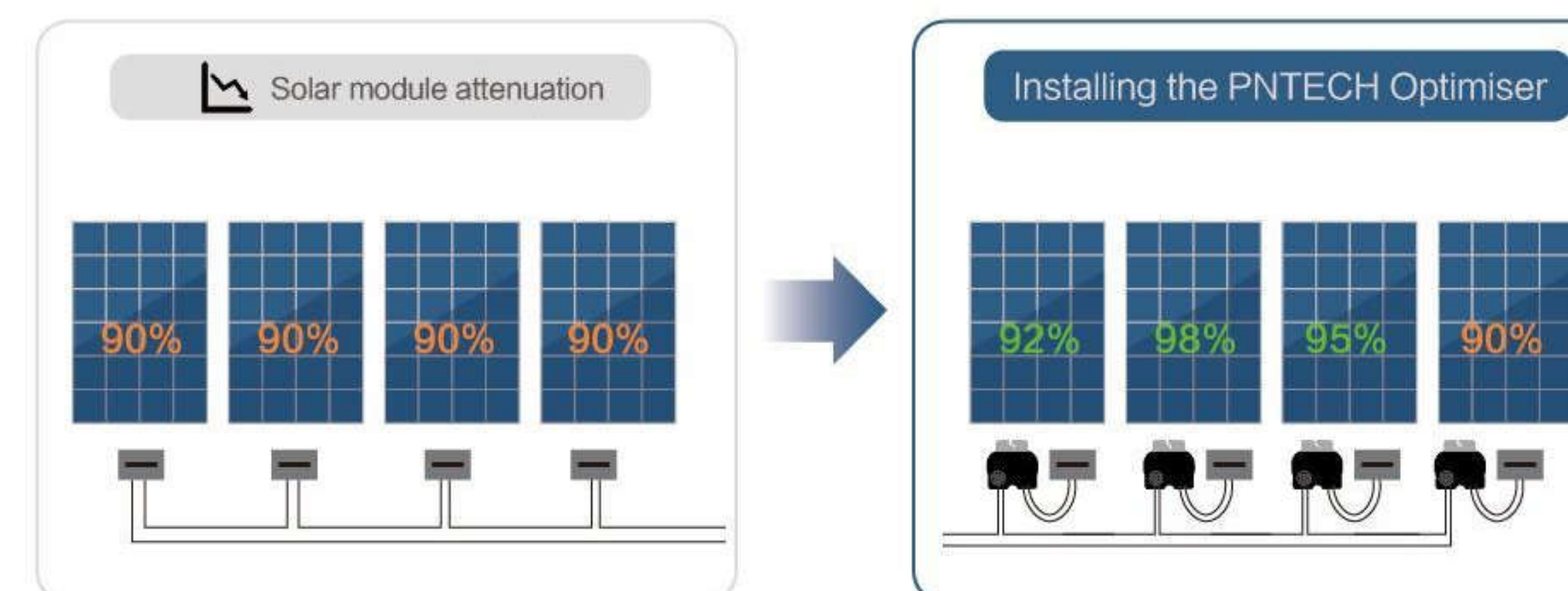
Maximum system voltage	1500V	Input cable length	500mm
Maximum Rated Input DC Power	600W	Output cable length	1000mm
Operation voltage range	7-60V	PV connector Model	PV005
Maximum input current	16A	Terminal compatibility	Compatible with MC4 connectors
Maximum output voltage	42V	Class of protection	IP65/IP68
Overload protection condition	18A or 150°C	Ambient temperature range	-40°C~+85°C
Dimension	103*105*21mm	Ambient humidity range	0-100%RH
Weight	0.5kg	Peak efficiency	99.5%
Cable specification	1x4mm <sup>2</sup>	Warranty period	Twenty-five years

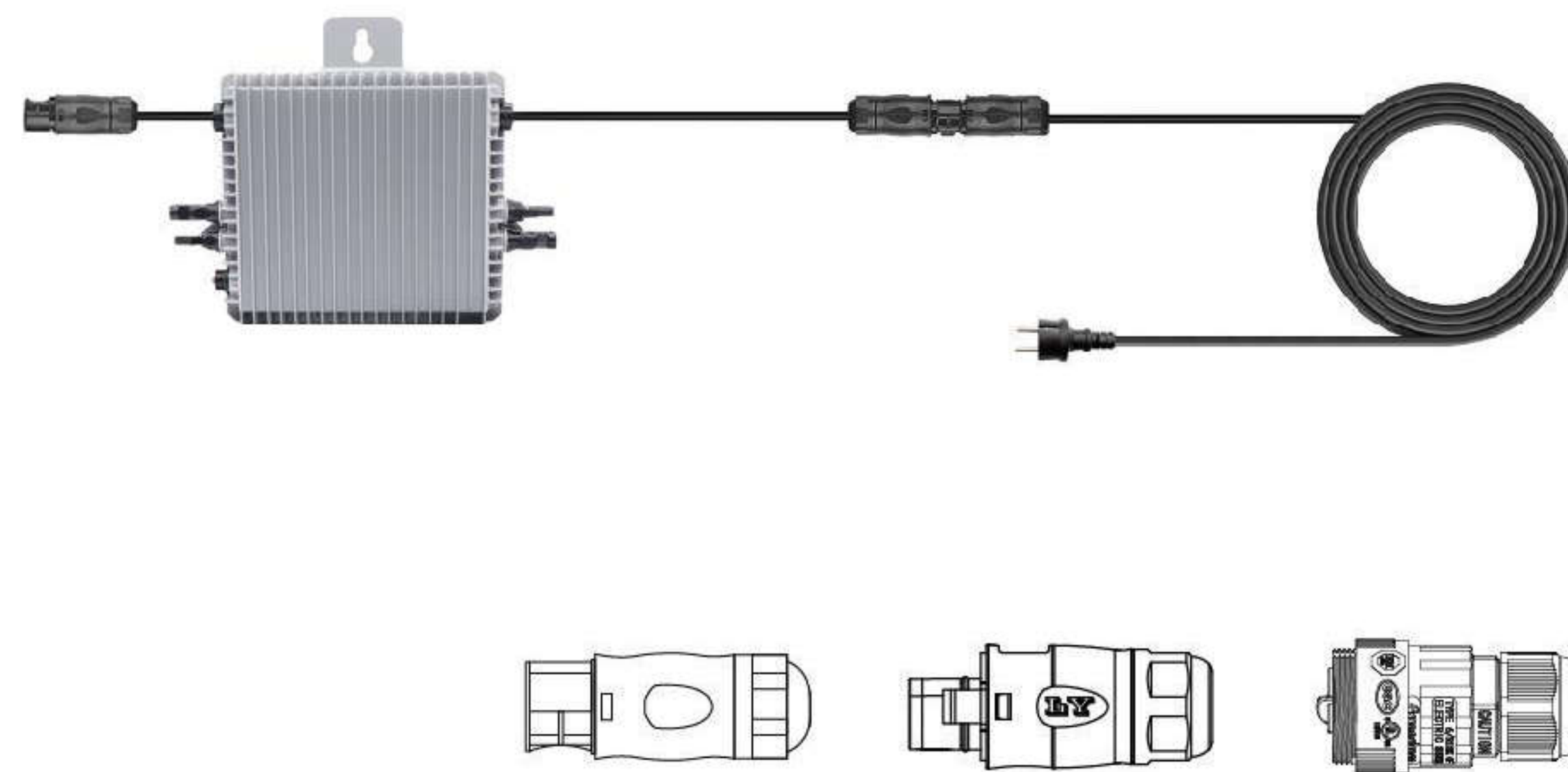


## PRODUCT FEATURES

As the operating currents of the modules connected in series in the same string need to be consistent, the operating point of the modules affected by the mismatch will be shifted as the current decreases, leading to a reduction in the output power of the entire string, i.e. there is an obvious barrel effect in the power generation of photovoltaic modules.

By using the optimiser solution, the maximum power point of each module can be tracked independently, which can increase the power generation by 5% -30% and achieve the optimal power generation for the whole string, ensuring that each module operates at its optimal working condition and tracks the maximum current of the string.



**VDE****CE****Approvals** VDE H07RN-F**PV AC CONNECTORS**

Type	BC01	LY	EP030-2224-00
Rated Voltage	250V AC	250V AC	250V AC
Rated Current	16A	16A	16A
Contact Resistance	≤0.5mΩ	≤0.5mΩ	≤10mΩ
Ambient Temperature	-40℃~+60℃	-40℃~+60℃	-40℃~+60℃
Contact Materials	Tinned copper	Tinned copper	Tinned copper
Insulation Material	PC/PPO	/	PA66
Cable specifications	3x1.0/1.5/2.5mm <sup>2</sup>	3x1.5/2.5mm <sup>2</sup>	3x1.0/1.5/2.5mm <sup>2</sup>
Protection Degree	IP68	IP68	IP68

**PRODUCT FEATURES**

A balcony photovoltaic system is an intelligent device that converts solar energy into electrical energy. Its primary purpose is to harness sunlight through photovoltaic panels to generate electricity for household use, thereby achieving energy conservation and minimizing energy waste. It offers the advantages of cost savings, convenient installation, and a plug-and-play function.



Balcony systems

**THE STRUCTURE OF CABLE** (Subject To The Latest Specifications)

Cross section (mm <sup>2</sup> )	Conductor construction (± n/mm±0.02)	Insulation medium thickness (≥mm)	Sheath medium thickness (≥mm)	Cable OD (± mm±0.2)
3G 1.0	32x0.2	0.8	1.4	7.3
3G 1.5	48x0.2	0.8	1.6	10.3
3G 2.5	50x0.25	0.9	1.8	11.2



## PRODUCT FEATURES

The flat wire passing through the window is suitable for leading wires from outdoors into the house, requiring no drilling and being durable. Furthermore, its use eliminates the need to drill holes in walls, doors, or windows during cable installation, providing a more convenient solution for cable installation.

### Tinned Copper

- The copper core is produced with high-quality tinned copper, featuring low resistance, excellent conductivity, and high safety.

### Long service life

- flat design for easy and flexible installation, and excellent tensile strength.

### Sheath

- PVC insulating material, flame retardant, environmentally friendly, high temperature, wear-resistant, corrosion-resistant.

### High passability

- which can meet the usage requirements in various narrow spaces.

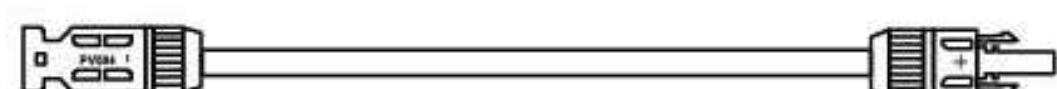
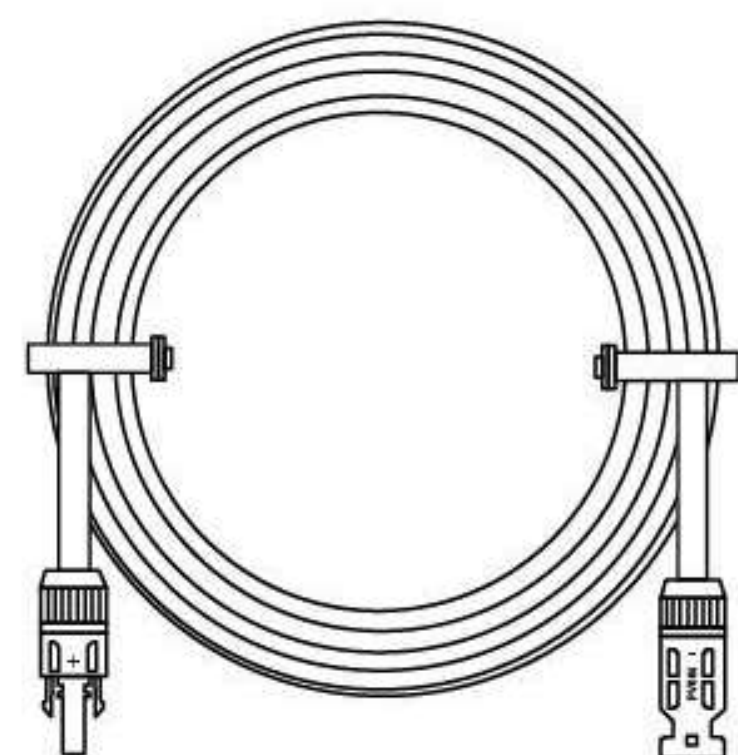
## TECHNICAL DATA

### 12AWG

Conductor Material	Tinned plated copper	Min Tensile Strength(N/mm <sup>2</sup> )	≥ 8.0
Construction	TS 144/0.15±0.005	Min Break Elongation Rate(%)	≥ 125
Sheath Material	PVC	Flame Test	Vertical Combustion En60332-1-2
Rated Voltage(V)	450/750V	Theoretical Service Life (年)	25
Rated Temp(°C)	-20°C - 90°C	Environment Protection	RoHS2.0
Cond. Resistance(Ω/km,20°C)	≤5.64	Length	Customisable
Voitage With Stand Test	3.5KV,5min	Colour	Customisable
Spark Electromechanical Voltage(KV)	7		

### Solar Extension Cable With Connector Double Ends

Standard IEC 62852:2014/CE

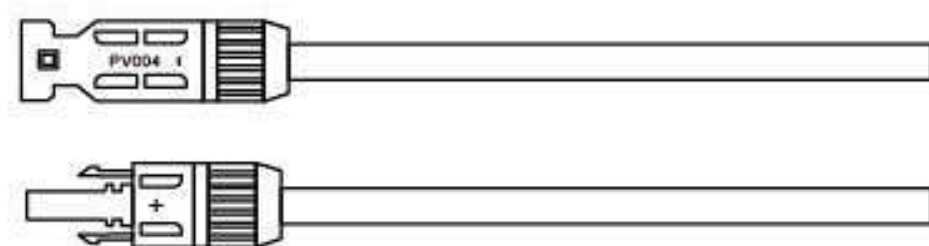
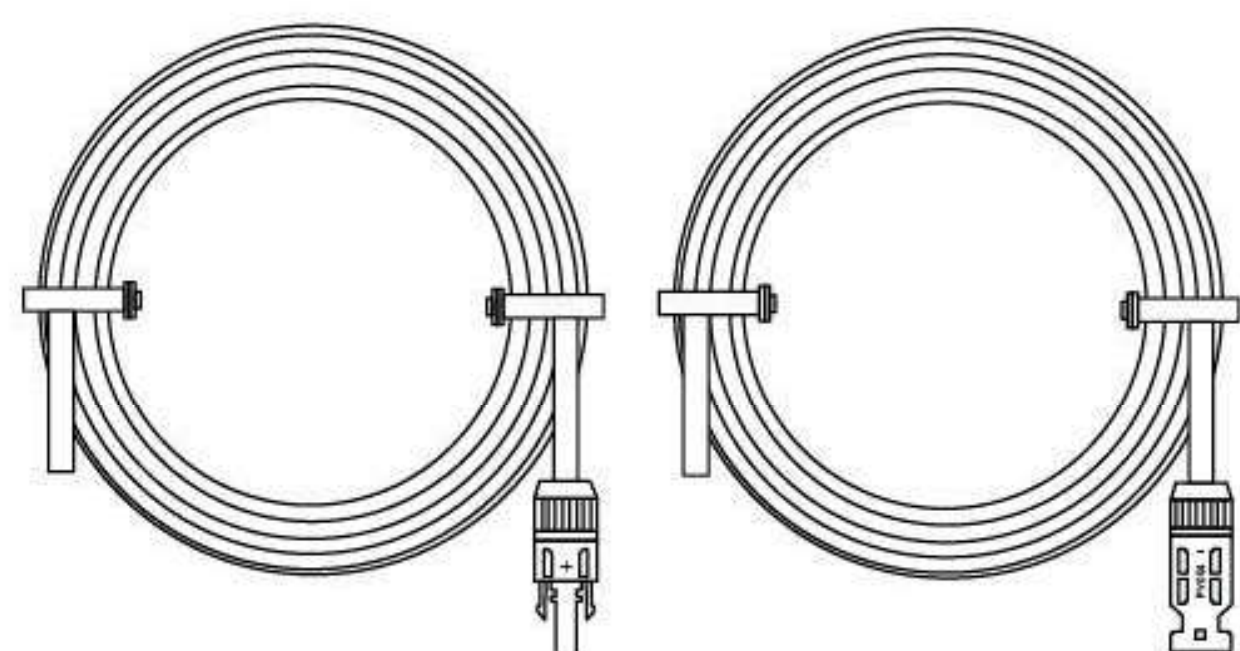


#### Parameters

- Type DC-DC
- Rated Voltage 1000V/1500V DC
- Rated Current 30A
- Contact Resistance  $\leq 0.5m\Omega$
- Ambient Temperature  $-40^{\circ}C \sim +85^{\circ}C$
- Contact Materials Tinned copper
- Insulation Material PC EXL9330/XLPO
- Flame Class UL94 V-0
- Cable specifications 2.5/4/6/10mm<sup>2</sup>
- Cable Length Customized

### Solar Extension Cable With Connector Single End

Standard IEC 62852:2014/CE



#### Parameters

- Type DC-00
- Rated Voltage 1000V/1500V DC
- Rated Current 30A
- Contact Resistance  $\leq 0.5m\Omega$
- Ambient Temperature  $-40^{\circ}C \sim +85^{\circ}C$
- Contact Materials Tinned copper
- Insulation Material PC EXL9330/XLPO
- Flame Class UL94 V-0
- Cable specifications 2.5/4/6/10mm<sup>2</sup>
- Cable Length Customized

### Customization Scheme for Solar Extension Cable



DESIGNATION	DIAGRAM	DESIGNATION	DIAGRAM
O Type DT		Energy Storage Battery Connection Cord	
Battery Brass Buckle		MC4 Dual Parallel Extension Cable	
Anderson Joint		Solar Street Light	
MC4 Dual Parallel Extension Cable		Automotive Junction Box	



# FOUR REASONS FOR CHOOSING



Safe and reliable materials: The connectors and cables use PC EXL9330 and XLPO/XLPE for the housing and tinned copper for the conductor.

Easy to install: compatible with all standard MC4 connectors, easy to use and install

High quality and Long life span: Dust proof, Waterproof, UV Resistant, Portable

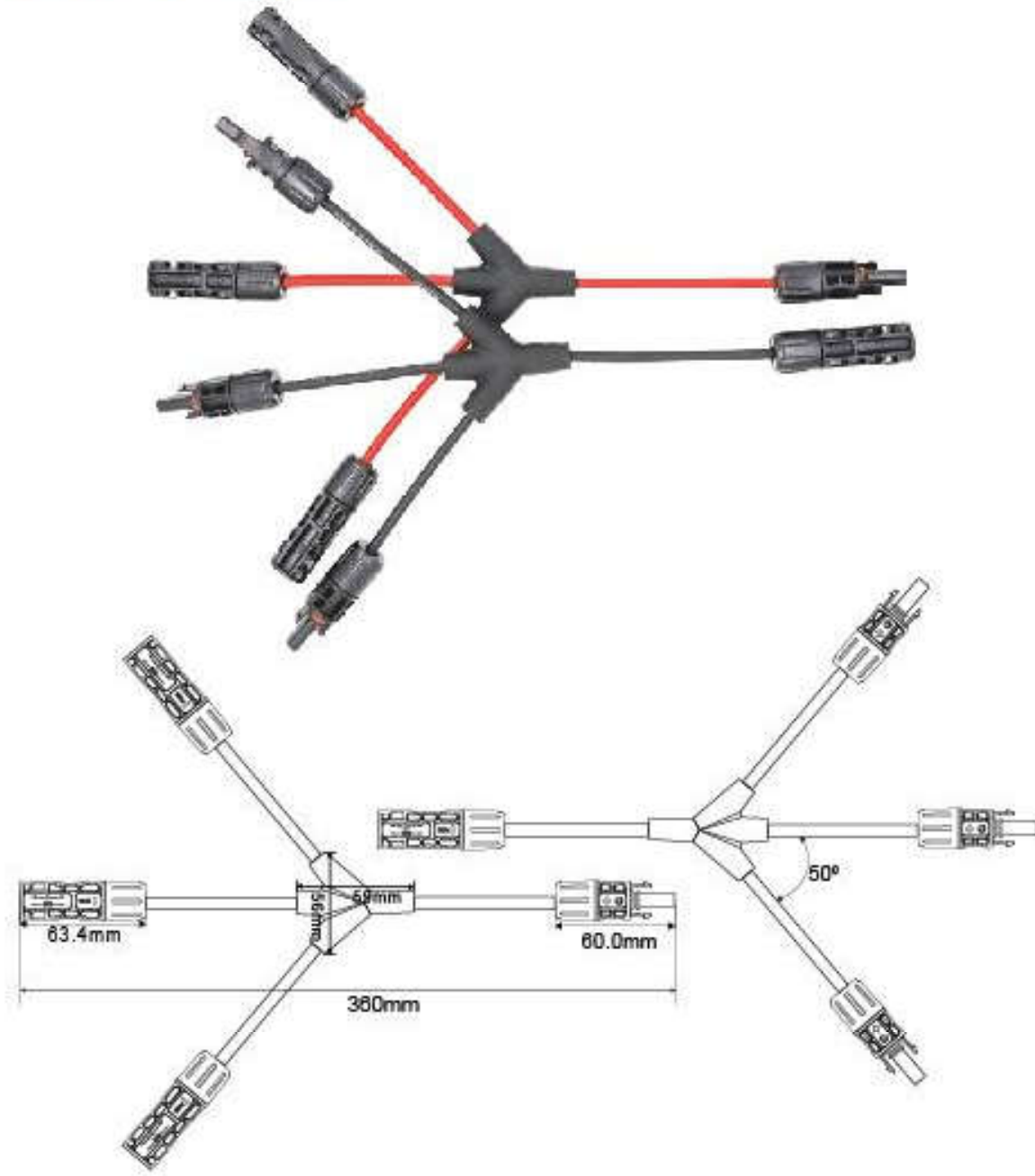
More widely applicable: usually used for connection the solar panel DC output and solar panel output, or extension

## SOLAR EXTENSION CABLE



### 3 to 1 Y Branch Connector PV005-3T1

Standard IEC 62852:2014/CE

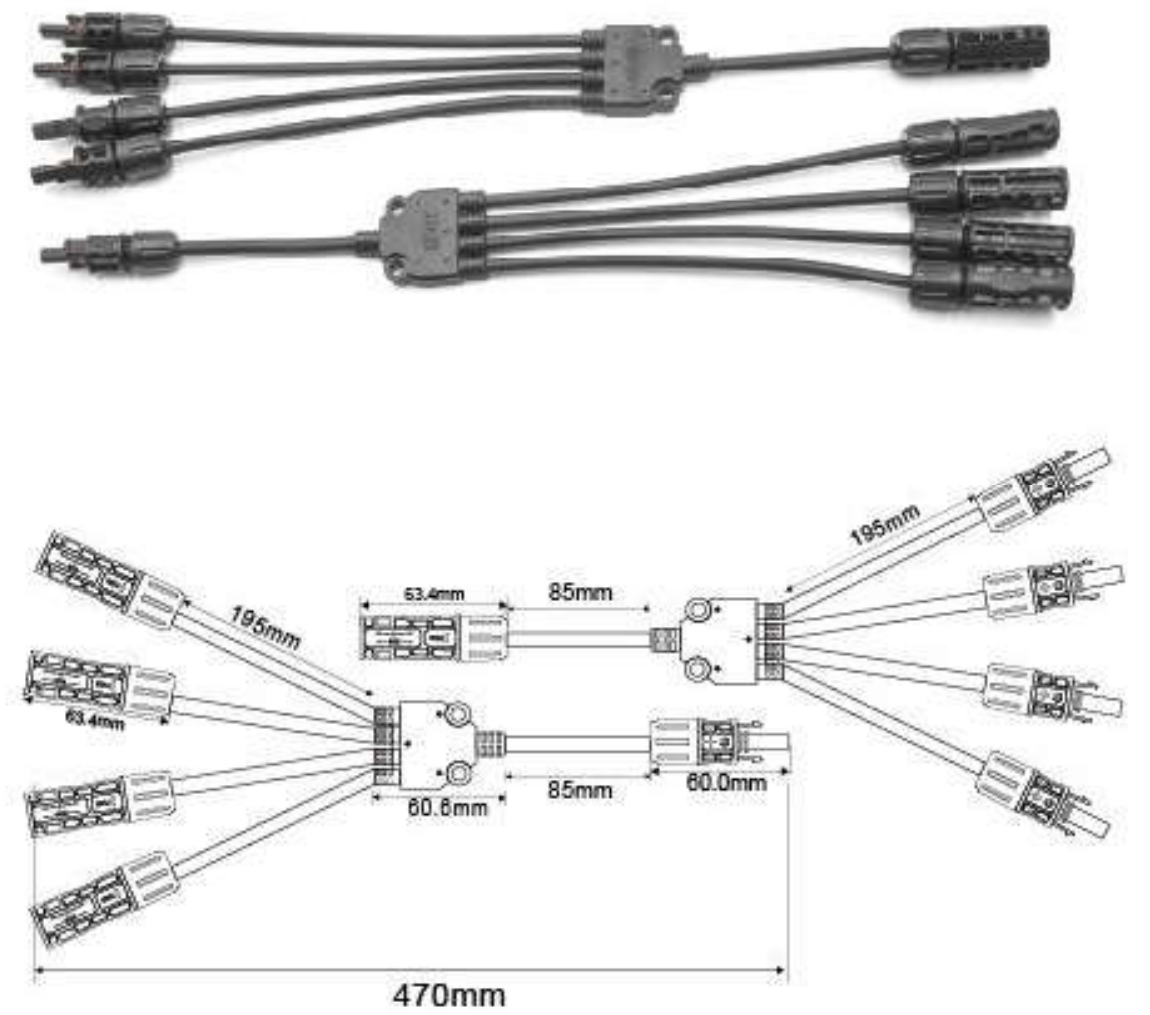


#### Parameters

- Type PV005-3T1
- Rated Voltage 1500V DC
- Rated Current 30A
- Protection Degree IP68
- Contact Resistance  $\leq 0.5m\Omega$
- Ambient Temperature  $-40^{\circ}\text{C}\sim+85^{\circ}\text{C}$
- Contact Materials Tinned copper
- Insulation Material PV40Z /XLPO
- Flame Class UL94 V-0
- Input Cable PV Cable  $1\times 4\text{mm}^2$
- Output Cable PV Cable  $1\times 4\text{mm}^2$

### 4 to 1 Y Branch Connector PV005-4T1

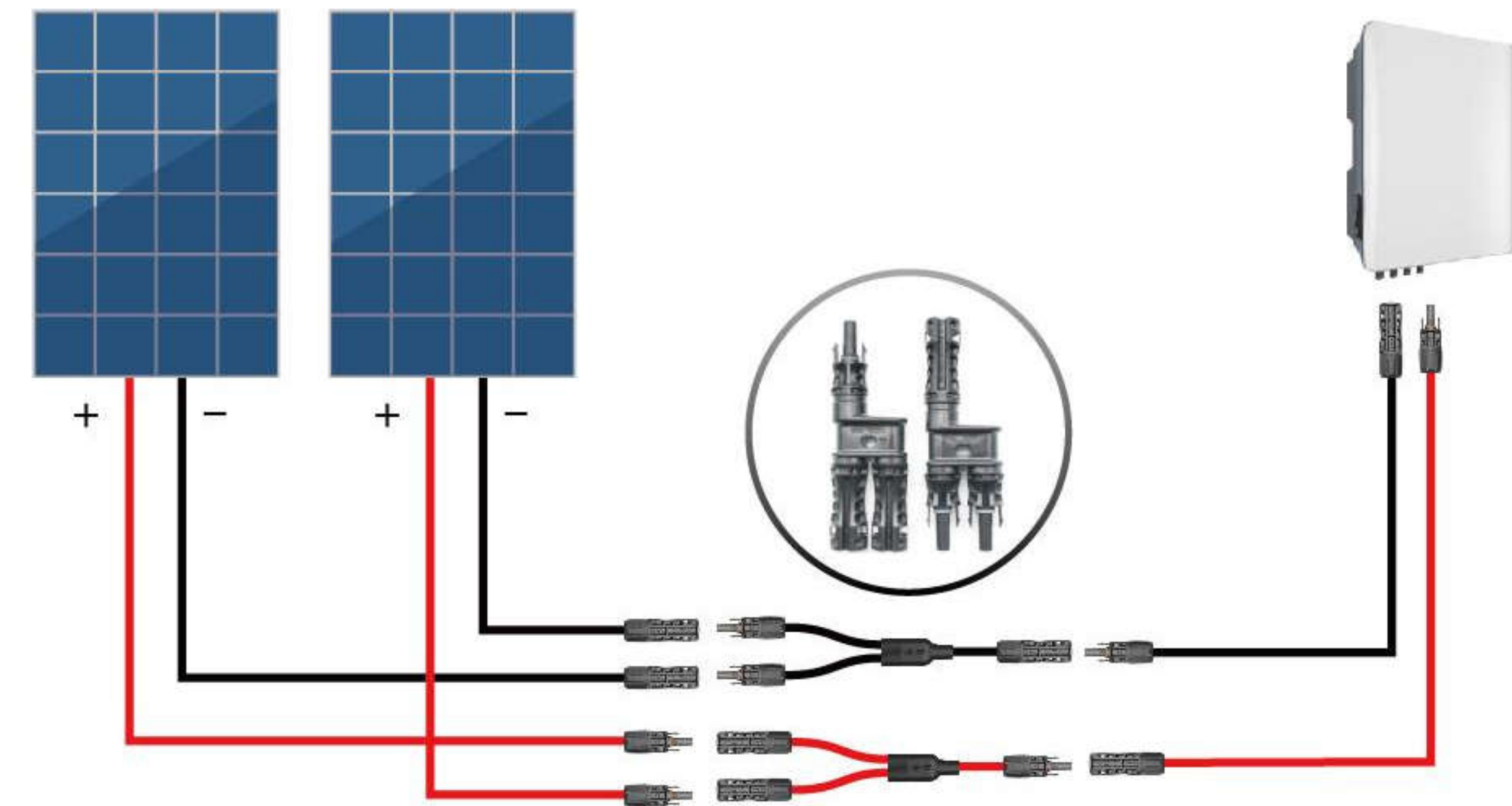
Standard IEC 62852:2014/CE



#### Parameters

- Type PV005-4T1
- Rated Voltage 1500V DC
- Rated Current 30A
- Protection Degree IP68
- Contact Resistance  $\leq 0.5m\Omega$
- Ambient Temperature  $-40^{\circ}\text{C}\sim+85^{\circ}\text{C}$
- Contact Materials Tinned copper
- Insulation Material PV40Z /XLPO
- Flame Class UL94 V-0
- Input Cable PV Cable  $1\times 4\text{mm}^2$
- Output Cable PV Cable  $1\times 6\text{mm}^2$

## 1500V Series Solar PV Connector



### PRODUCT FEATURES

Converging PV connectors help to easily expand solar arrays in series or parallel configurations for flexible system design. They simplify installation, maintenance and compatibility of different solar panel brands and components.

#### Easier connection

- Photovoltaic connector design, simple and easy to connect circuits, improve space efficiency

#### Excellent material

- The product is made of high quality materials for improved smoothness and sturdiness.

#### Reduced wear and tear

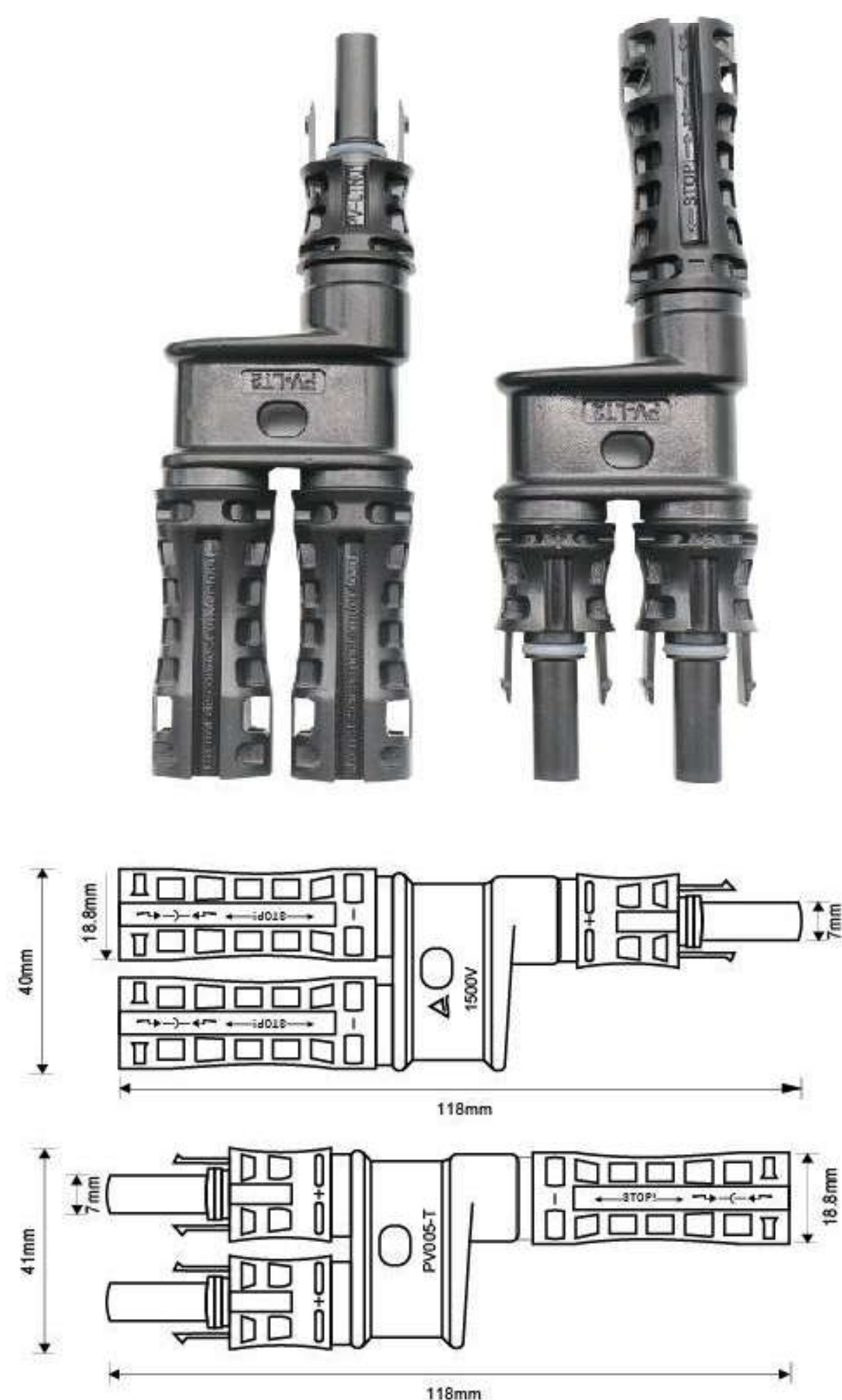
- Safe and reliable connections minimise power loss and maintain overall system efficiency.

#### Flexible System Design

- Easily expand solar arrays in series or parallel configurations for flexible system design

## 2 to 1 T Branch Connector PV005-T

Standard IEC 62852:2014/CE

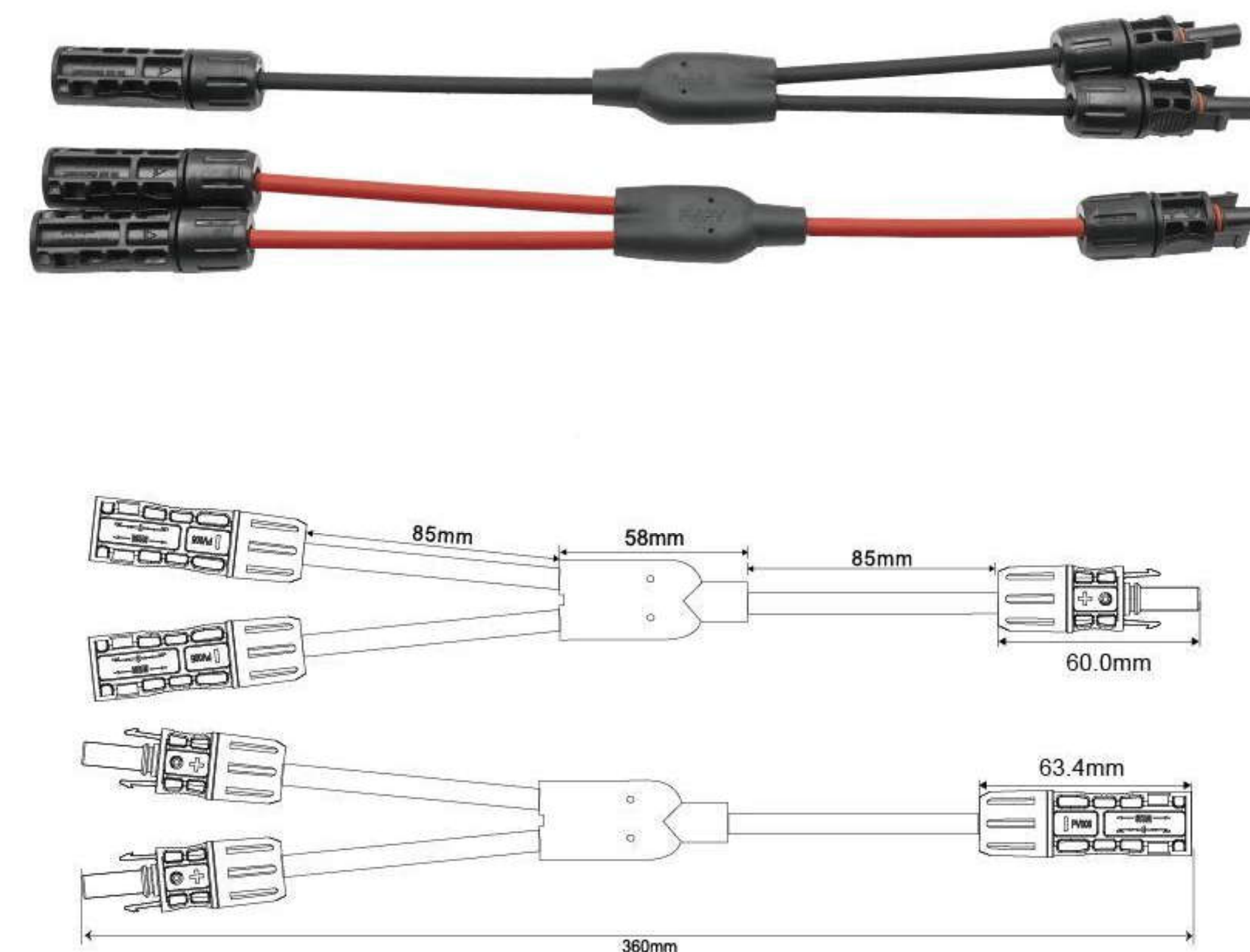


### Parameters

- |                      |          |                       |               |
|----------------------|----------|-----------------------|---------------|
| • Type               | PV005-T  | • Ambient Temperature | -40°C~+85°C   |
| • Rated Voltage      | 1500V DC | • Contact Materials   | Tinned copper |
| • Rated Current      | 30A      | • Adapter Connector   | PV004/PV005   |
| • Protection Degree  | IP68     | • Insulation Material | PPO           |
| • Contact Resistance | ≤0.5mΩ   | • Flame Class         | UL94 V-0      |

## 2 to 1 Y Branch Connector PV005-2T1

Standard IEC 62852:2014/CE



### Parameters

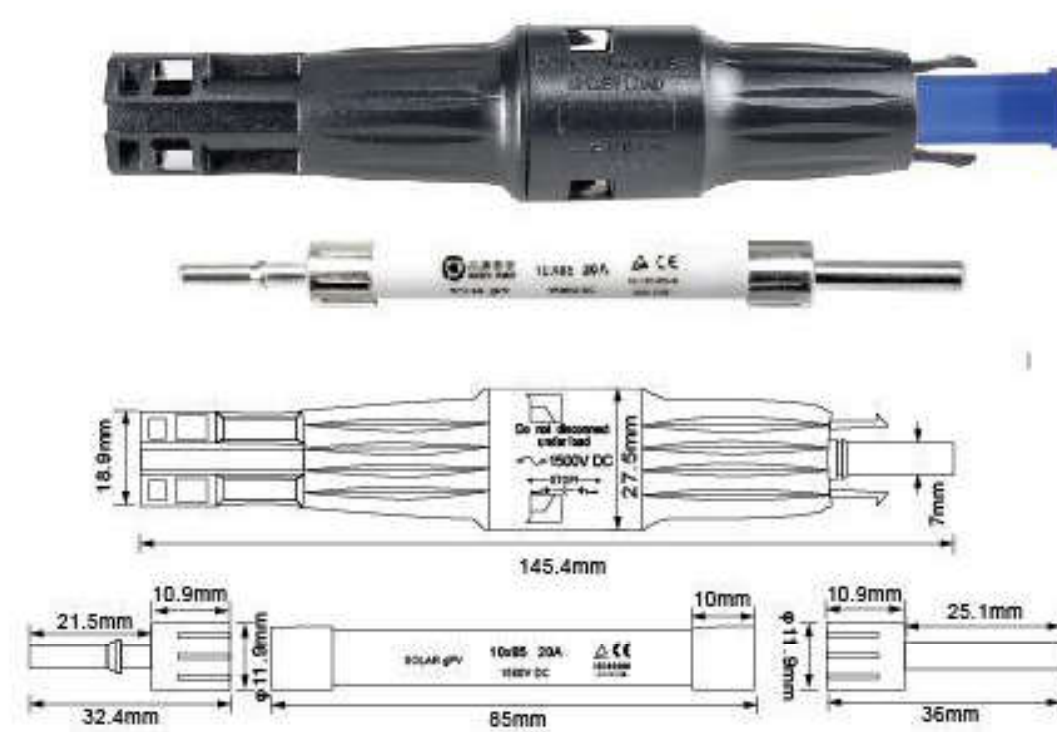
- |                       |             |                       |                               |
|-----------------------|-------------|-----------------------|-------------------------------|
| • Type                | PV005-2T1   | • Contact Materials   | Tinned copper                 |
| • Rated Voltage       | 1500V DC    | • Insulation Material | PV40Z/XLPO                    |
| • Rated Current       | 30A         | • Flame Class         | UL94 V-0                      |
| • Protection Degree   | IP68        | • Input Cable         | PV Cable 1 × 4mm <sup>2</sup> |
| • Contact Resistance  | ≤0.5mΩ      | • Output Cable        | PV Cable 1 × 4mm <sup>2</sup> |
| • Ambient Temperature | -40°C~+85°C |                       |                               |

## Fuse Connector

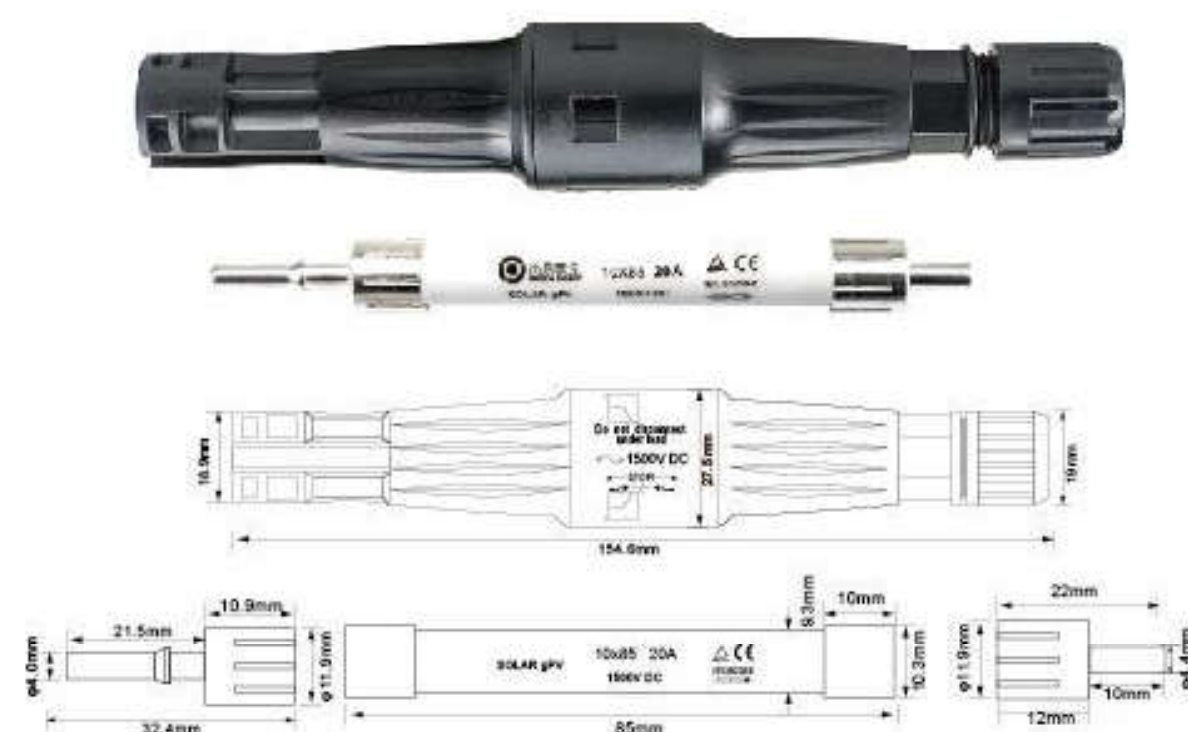
Standard IEC 62852:2014



PV005-FA



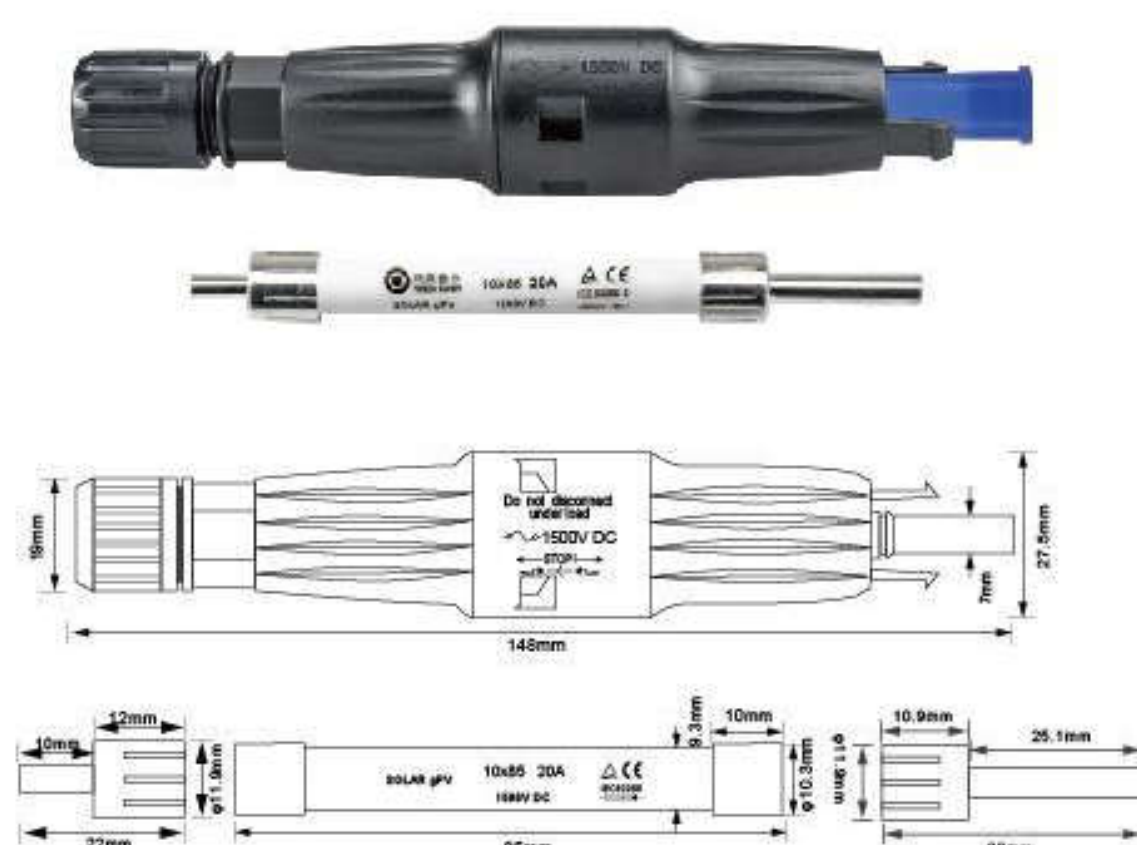
PV005-FB



PV005-FC



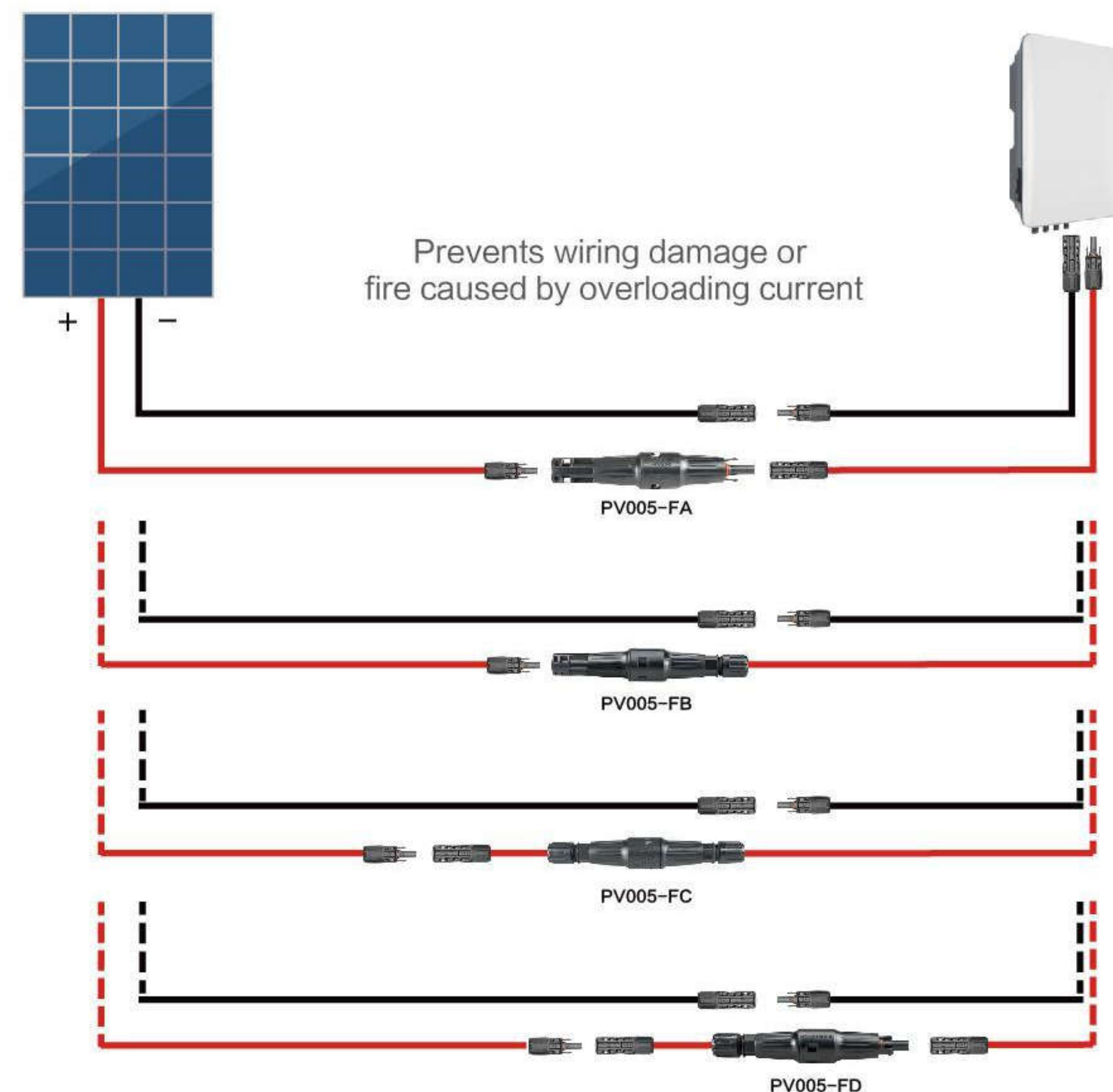
PV005-FD



### Parameters

• Type	PV005-F	• Protection Degree	IP65
• Rated Voltage	1500V DC	• Contact Resistance	≤0.5mΩ
• Contact Materials	Tinned copper	• Ambient Temperature	-40℃~+85℃
• Rated Current	15A,20A,25A,30A	• Insulation Material	PPO
• Standard	IEC 62852:2014	• Flame Class	UL94 V-0

### Fuse Product Usage Diagram



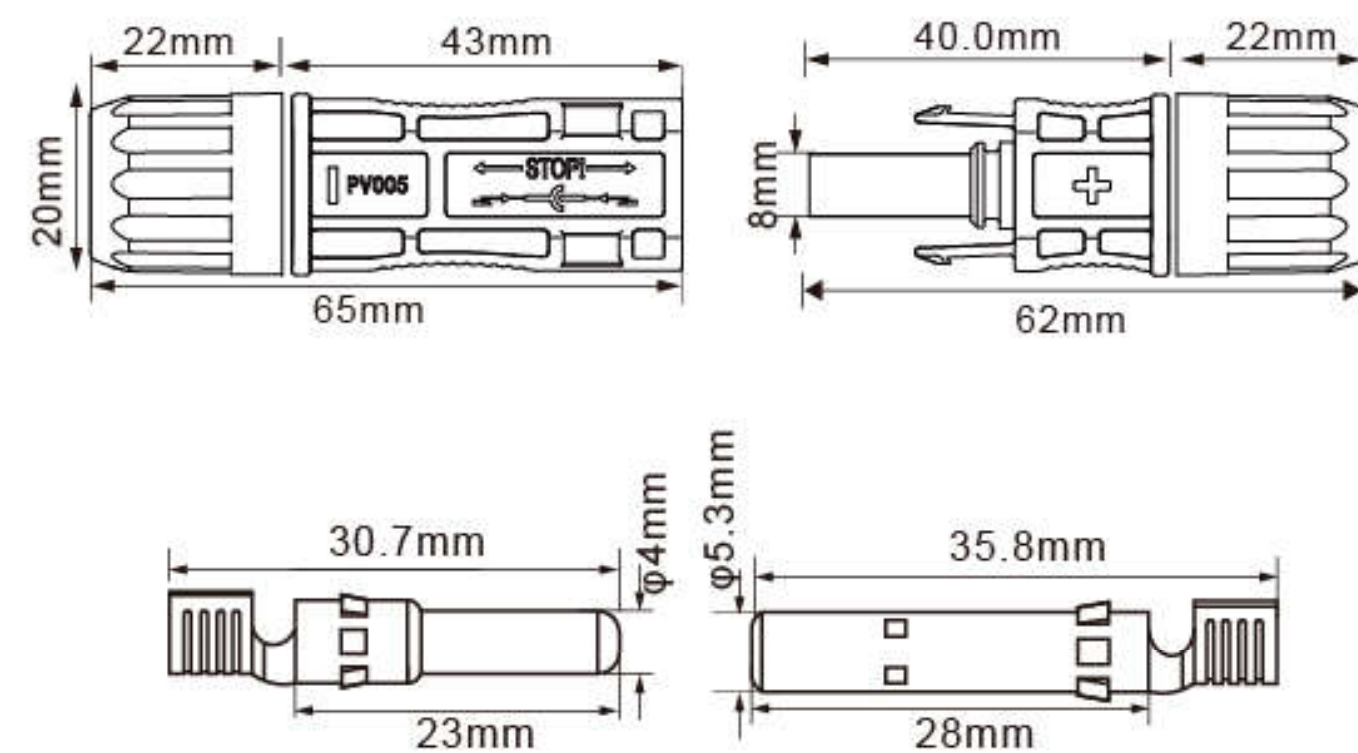
# PV 005 Solar PV Connector



Standard IEC 62852:2014/TÜV

## Parameters

- Type PV005
- Rated Voltage 1500V DC
- Contact Materials Tinned copper
- Rated Current 30A
- Standard IEC 62852:2014
- Protection Degree IP65/IP68
- Contact Resistance  $\leq 0.5m\Omega$
- Ambient Temperature  $-40^{\circ}\text{C}\sim+85^{\circ}\text{C}$
- Cable Cross Section Area  $2.5\text{mm}^2, 4\text{mm}^2, 6\text{mm}^2$
- Insulation Material PPE
- Flame Class UL94 V-0



## Feature

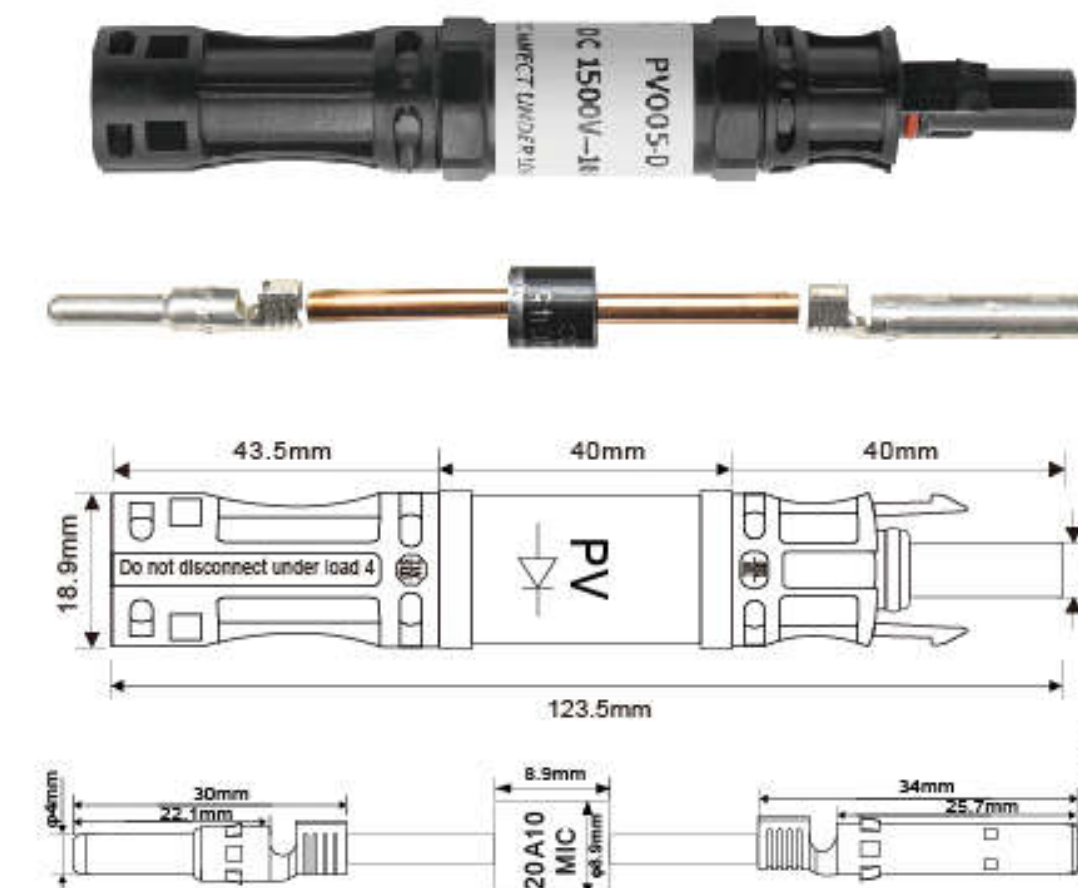
- Lower contact resistance
- Good heat resistance and cold resistance
- Quality Assurance for 3 years
- TÜV certification
- Suitable for outdoor harsh environment
- Waterproof and dust proof design

# Diode Connector PV005-D

Standard IEC 62852:2014/CE

## Parameters

- Type PV005-D
- Rated Voltage 1500V DC
- Contact Materials Tinned copper
- Rated Current 10A, 15A, 20A
- Standard IEC 62852:2014/CE
- Protection Degree IP65
- Contact Resistance  $\leq 0.5m\Omega$
- Ambient Temperature  $-40^{\circ}\text{C}\sim+85^{\circ}\text{C}$
- Insulation Material PPO
- Flame Class UL94 V-0

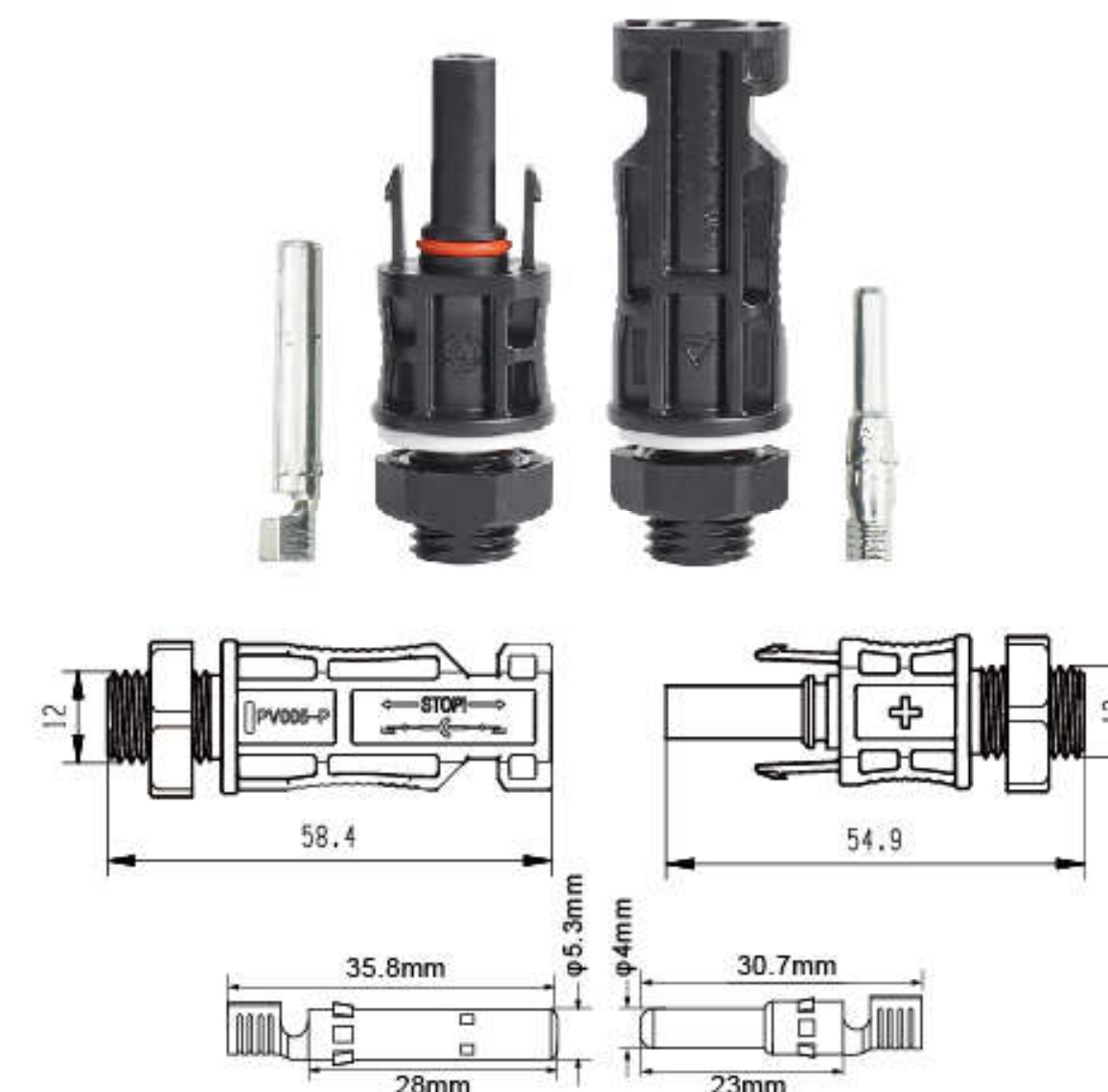


# Plate End Connector PV005-P

Standard IEC 62852:2014/CE

## Parameters

- Type PV005-P
- Rated Voltage 1500V DC
- Contact Materials Tinned copper
- Rated Current 30A
- Standard IEC 62852:2014/CE
- Protection Degree IP65/IP68
- Contact Resistance  $\leq 0.5m\Omega$
- Ambient Temperature  $-40^{\circ}\text{C}\sim+85^{\circ}\text{C}$
- Thread Size 12mm
- Insulation Material PV40Z
- Flame Class UL94 V-0





## SOLAR PV CONNECTOR 1500V SERIES

### New Standard Solar PV Connector IEC62852

- ⚡ Load Capability with big current and high voltage
- ⊖ Lower contact resistance
- 💧 Design of waterproof and dust proof
- 🛡️ Excellent performances of high-low temperature resistance, fireproof, anti-ultraviolet



**25 YEARS OF QUALITY  
ADHERING TO THE SAME**

**MAKE PHOTOVOLTAIC  
POWER STATIONS SAFER**

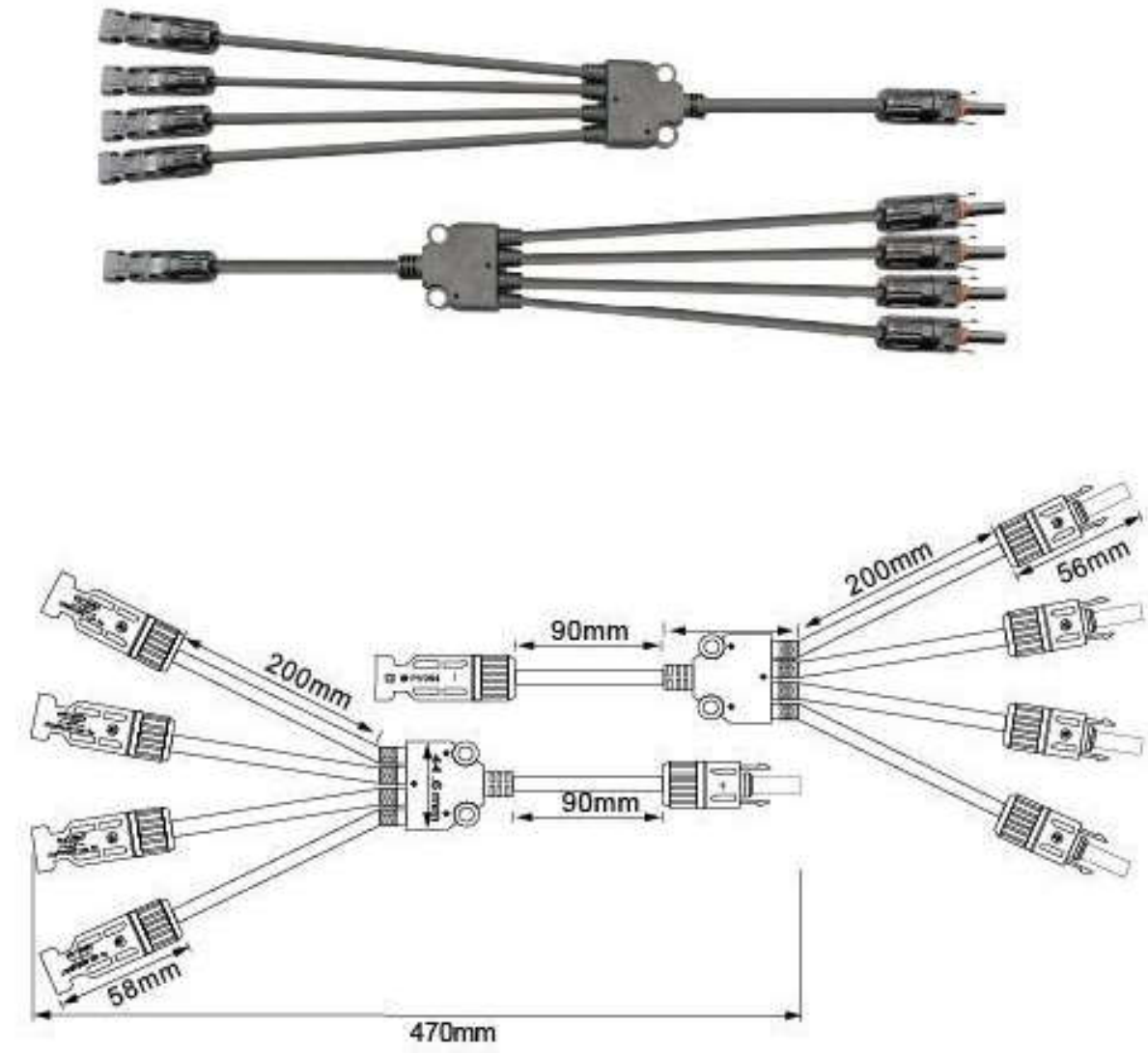


**PNTECH**

Zhejiang Pntech Technology Co.,Ltd.

### 4 to 1 Y Branch Connector PV004-4T1

Standard IEC 62852:2014/CE

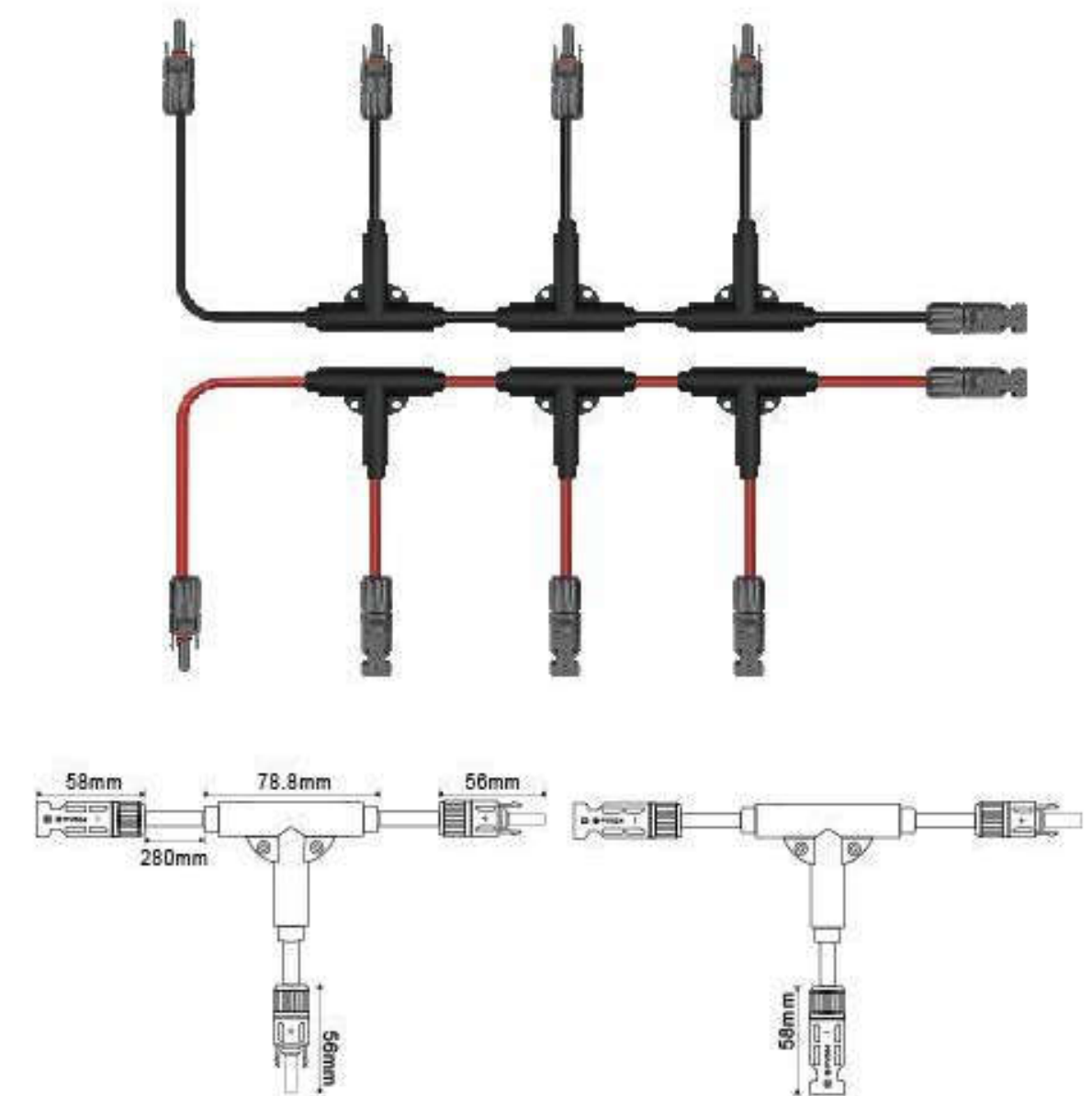


#### Parameters

- Type PV004-4T1
- Rated Voltage 1000V DC
- Rated Current 30A
- Protection Degree IP67
- Contact Resistance  $\leq 0.5m\Omega$
- Ambient Temperature  $-40^{\circ}C \sim +85^{\circ}C$
- Contact Materials Tinned copper
- Insulation Material PC EXL9330/XLPO
- Flame Class UL94 V-0
- Input Cable PV Cable  $1 \times 4mm^2$
- Output Cable PV Cable  $1 \times 6mm^2$

### X to 1 Y Branch Connector PV004-XT1

Standard IEC 62852:2014/CE



#### Parameters

- Type PV004-XT1
- Rated Voltage 1000V DC
- Rated Current 30A
- Protection Degree IP67
- Contact Resistance  $\leq 0.5m\Omega$
- Ambient Temperature  $-40^{\circ}C \sim +85^{\circ}C$
- Contact Materials Tinned copper
- Insulation Material PC EXL9330/XLPO
- Flame Class UL94 V-0
- Input Cable PV Cable  $1 \times 4/6mm^2$
- Output Cable PV Cable  $1 \times 4/6mm^2$

# 1000V Series Solar PV Connector

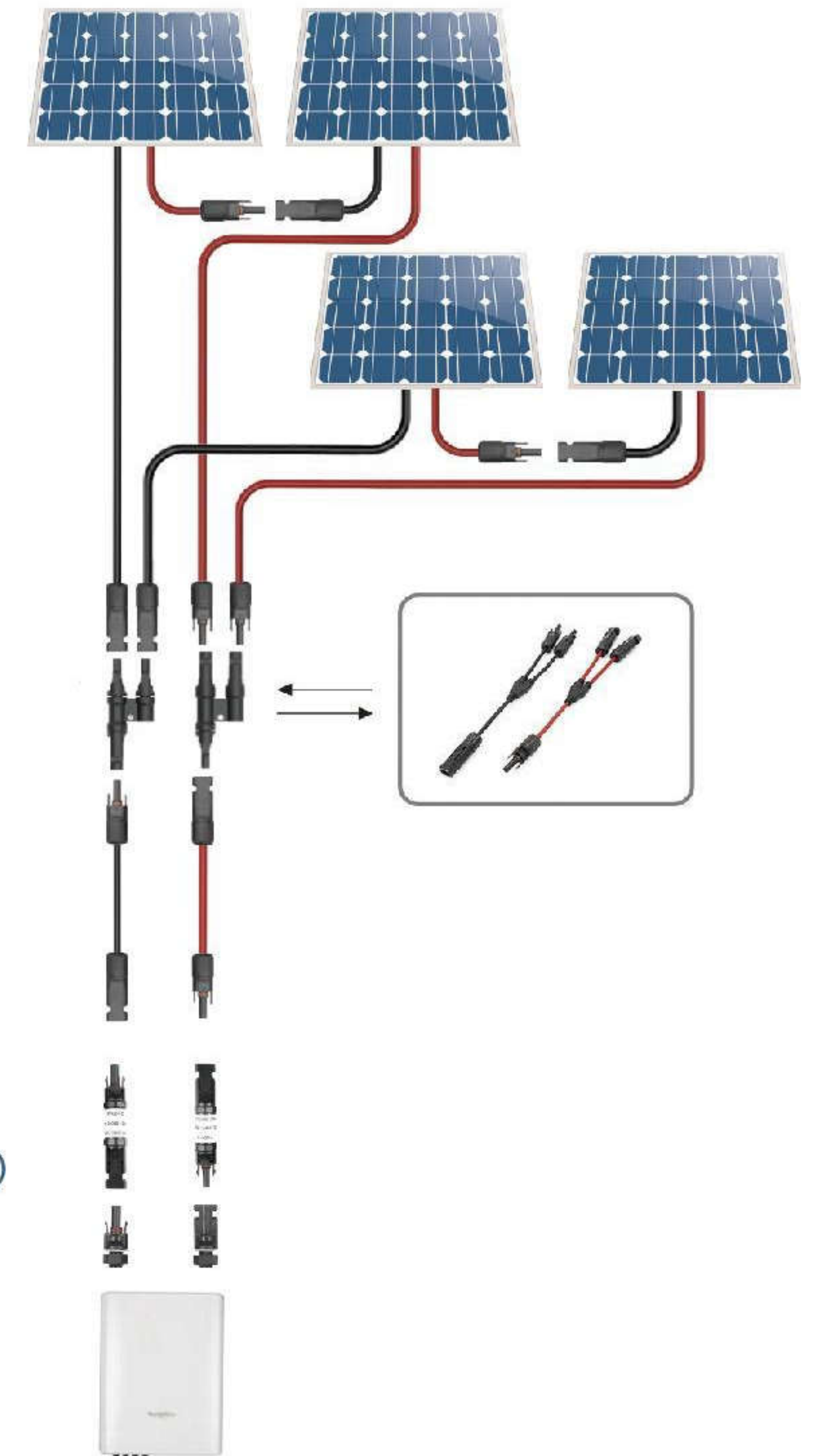
● PV Connector

● T/Y/X Branch Connector

● SolarExtension Cable

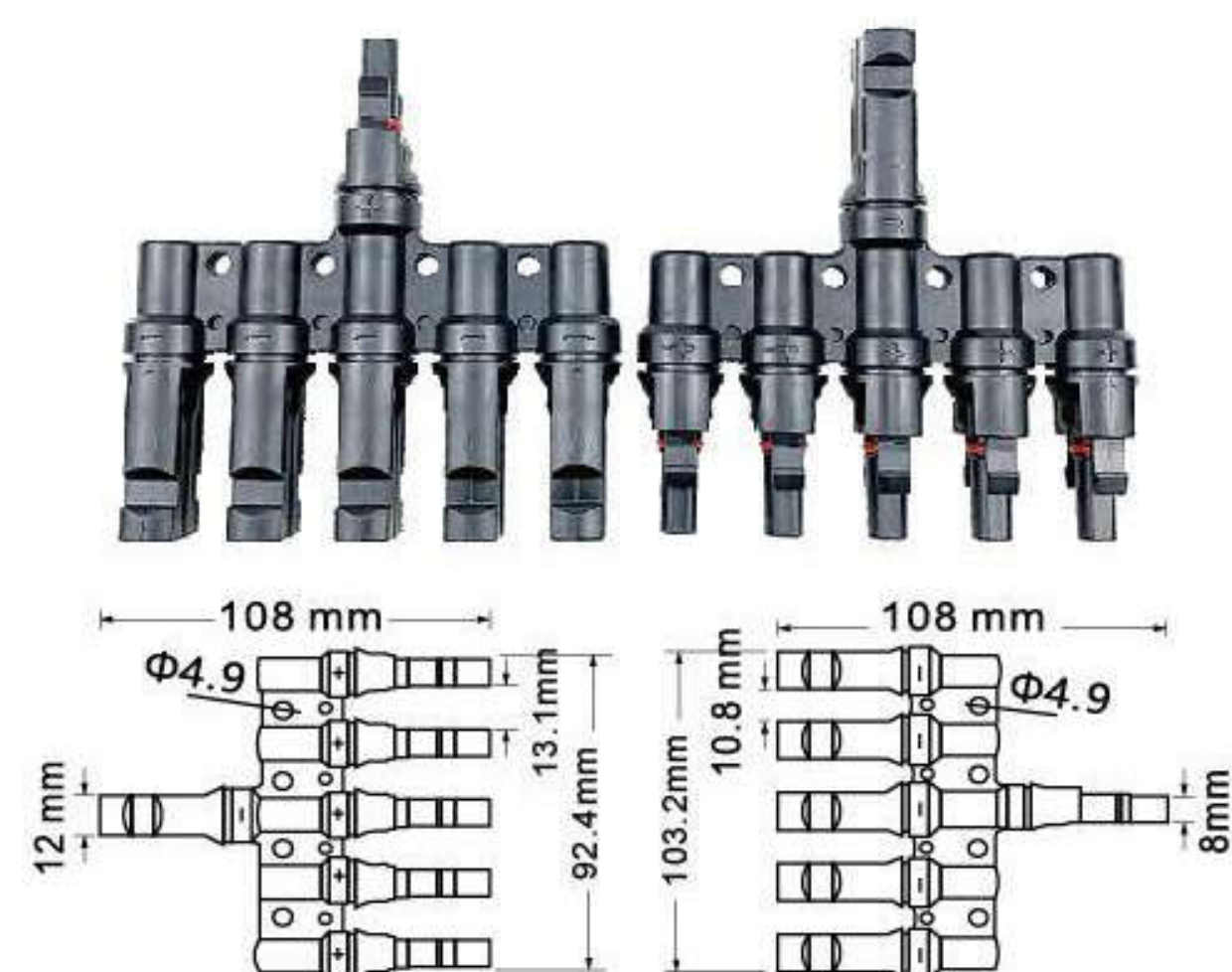
● PV FUSE Holder Fuse Connector(FUSE 15-30A)

● Plate End Connector



### 5 to 1 T Branch Connector PV004-T5

Standard IEC 62852:2014/CE

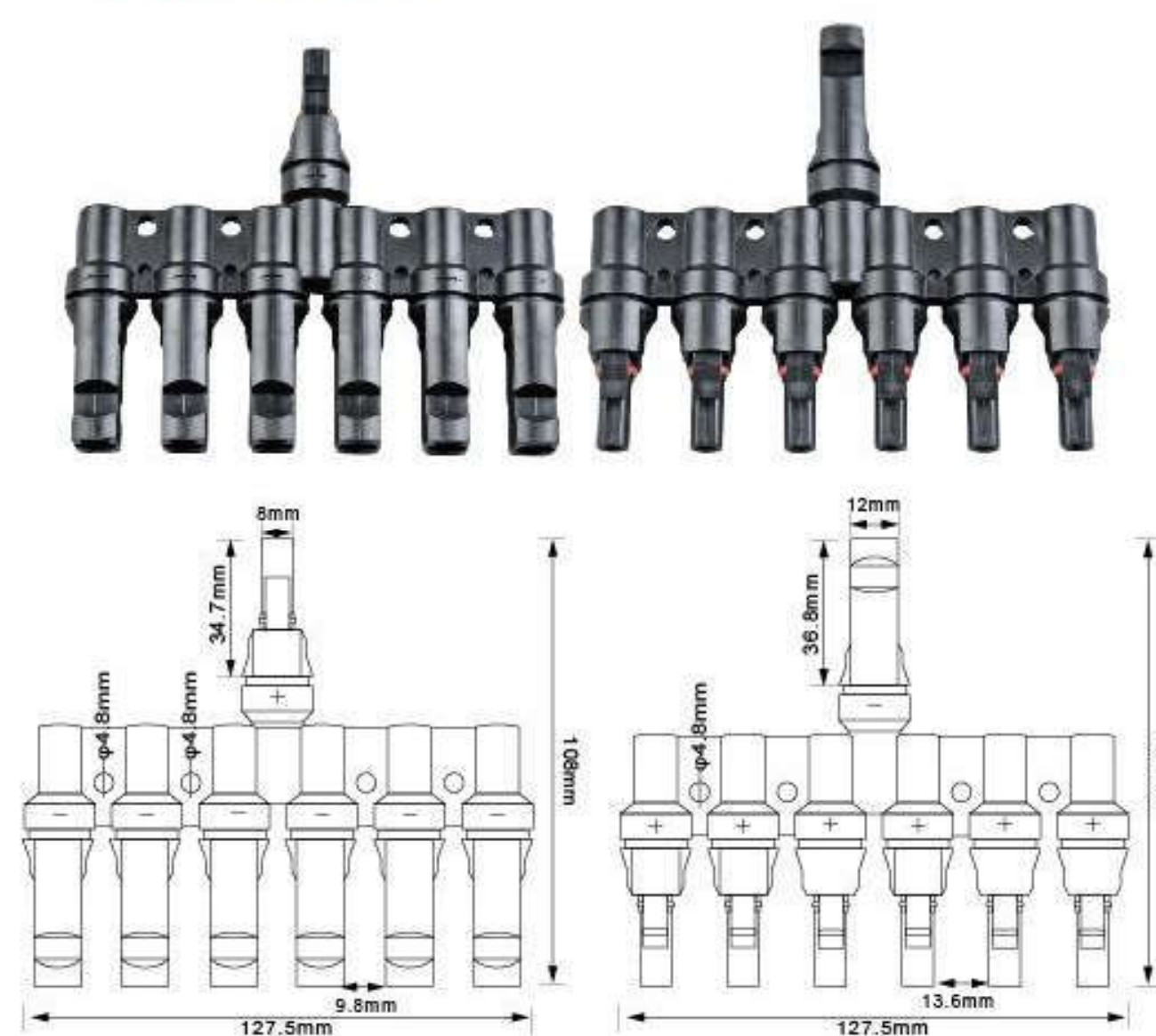


#### Parameters

- Type PV004-T5
- Rated Voltage 1000V DC
- Contact Materials Tinned copper
- Rated Current 30A
- Protection Degree IP65
- Contact Resistance  $\leq 0.5m\Omega$
- Ambient Temperature  $-40^{\circ}\text{C}\sim+85^{\circ}\text{C}$
- Adapter Connector PV004/PV005
- Insulation Material PPO
- Flame Class UL94 V-0

### 6 to 1 T Branch Connector PV004-T6

Standard IEC 62852:2014/CE

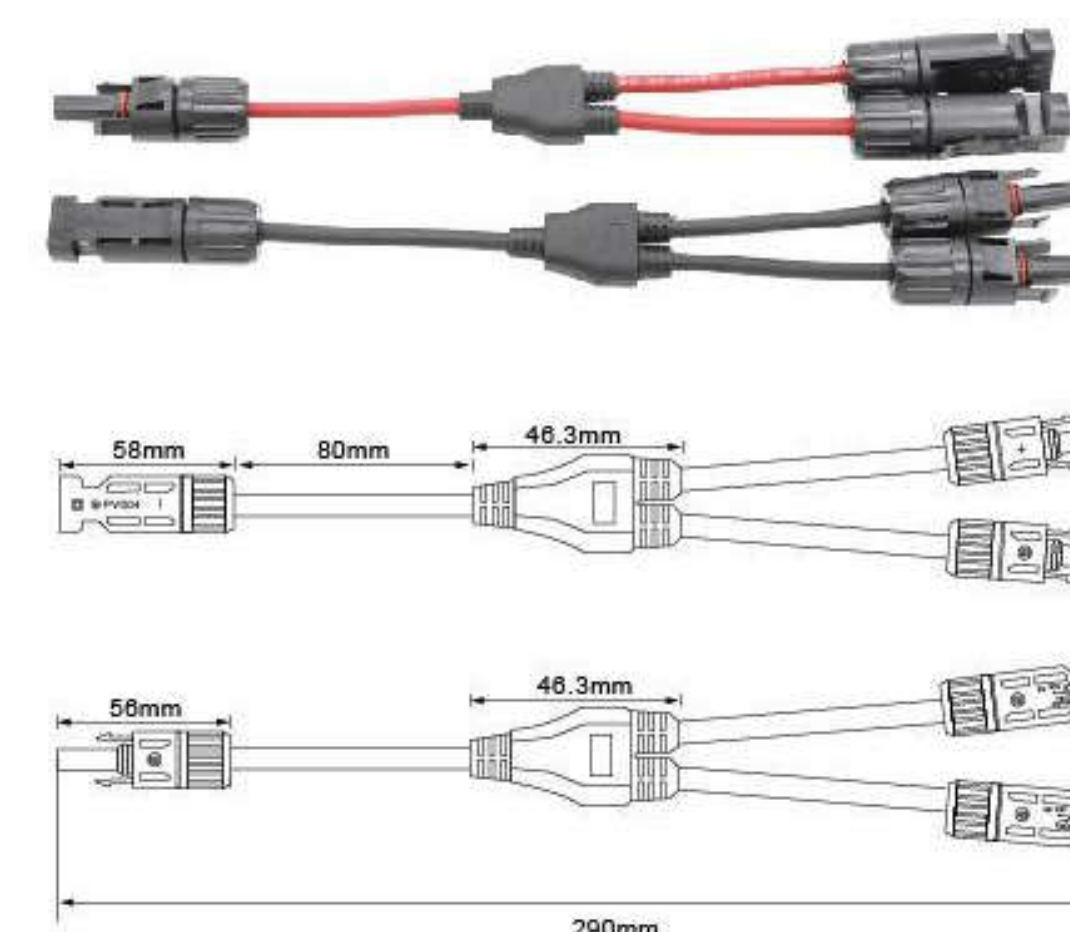


#### Parameters

- Type PV004-T6
- Rated Voltage 1000V DC
- Contact Materials Tinned copper
- Rated Current 30A
- Protection Degree IP65
- Contact Resistance  $\leq 0.5m\Omega$
- Ambient Temperature  $-40^{\circ}\text{C}\sim+85^{\circ}\text{C}$
- Adapter Connector PV004/PV005
- Insulation Material PPO
- Flame Class UL94 V-0

### 2 to 1 Y Branch Connector PV004-2T1

Standard IEC 62852:2014/CE

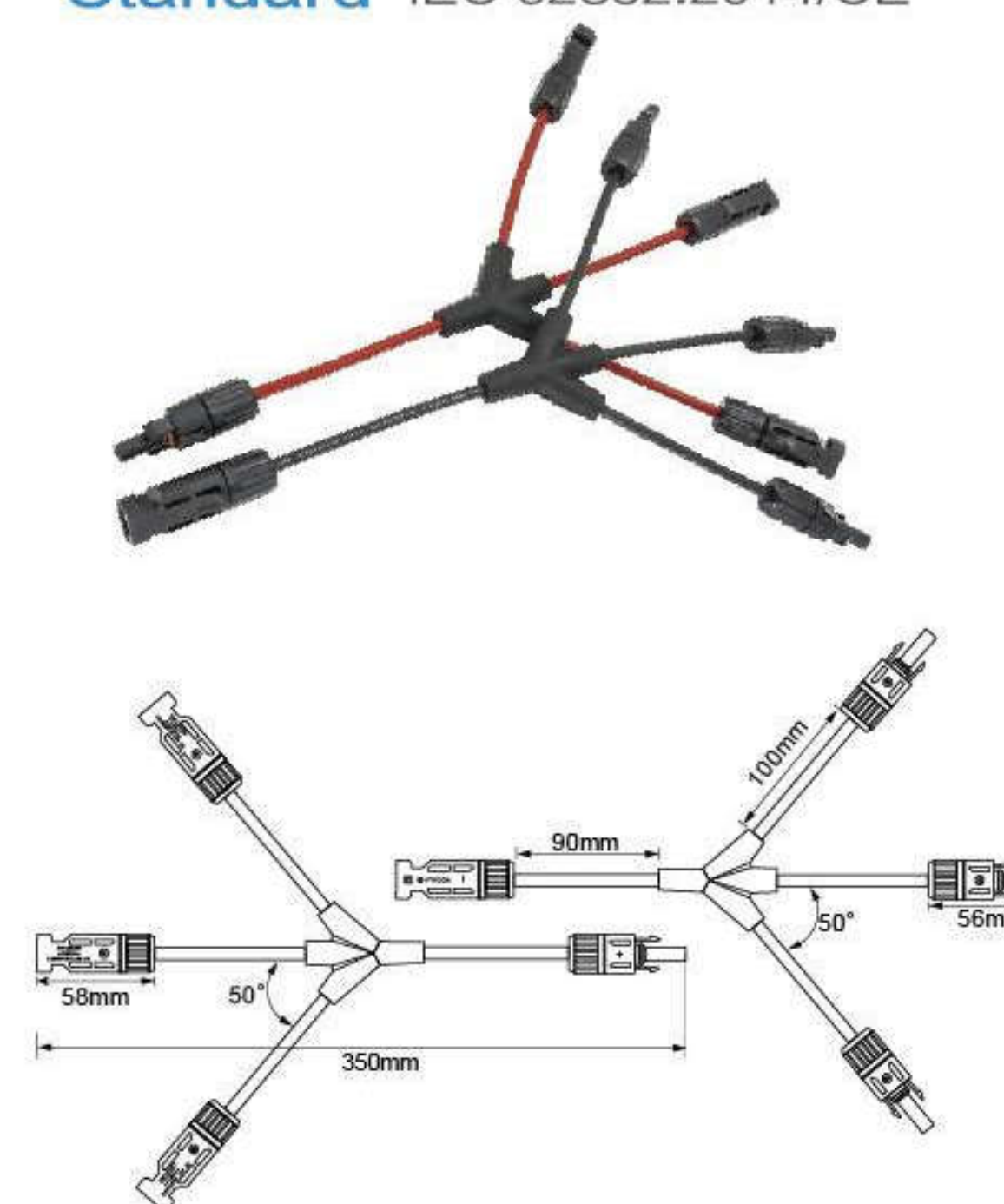


#### Parameters

- Type PV004-2T1
- Rated Voltage 1000V DC
- Rated Current 30A
- Protection Degree IP67
- Contact Resistance  $\leq 0.5m\Omega$
- Ambient Temperature  $-40^{\circ}\text{C}\sim+85^{\circ}\text{C}$
- Contact Materials Tinned copper
- Insulation Material PC EXL9330/XLPO
- Flame Class UL94 V-0
- Input Cable PV Cable  $1 \times 4\text{mm}^2$
- Output Cable PV Cable  $1 \times 4\text{mm}^2$

### 3 to 1 Y Branch Connector PV004-3T1

Standard IEC 62852:2014/CE

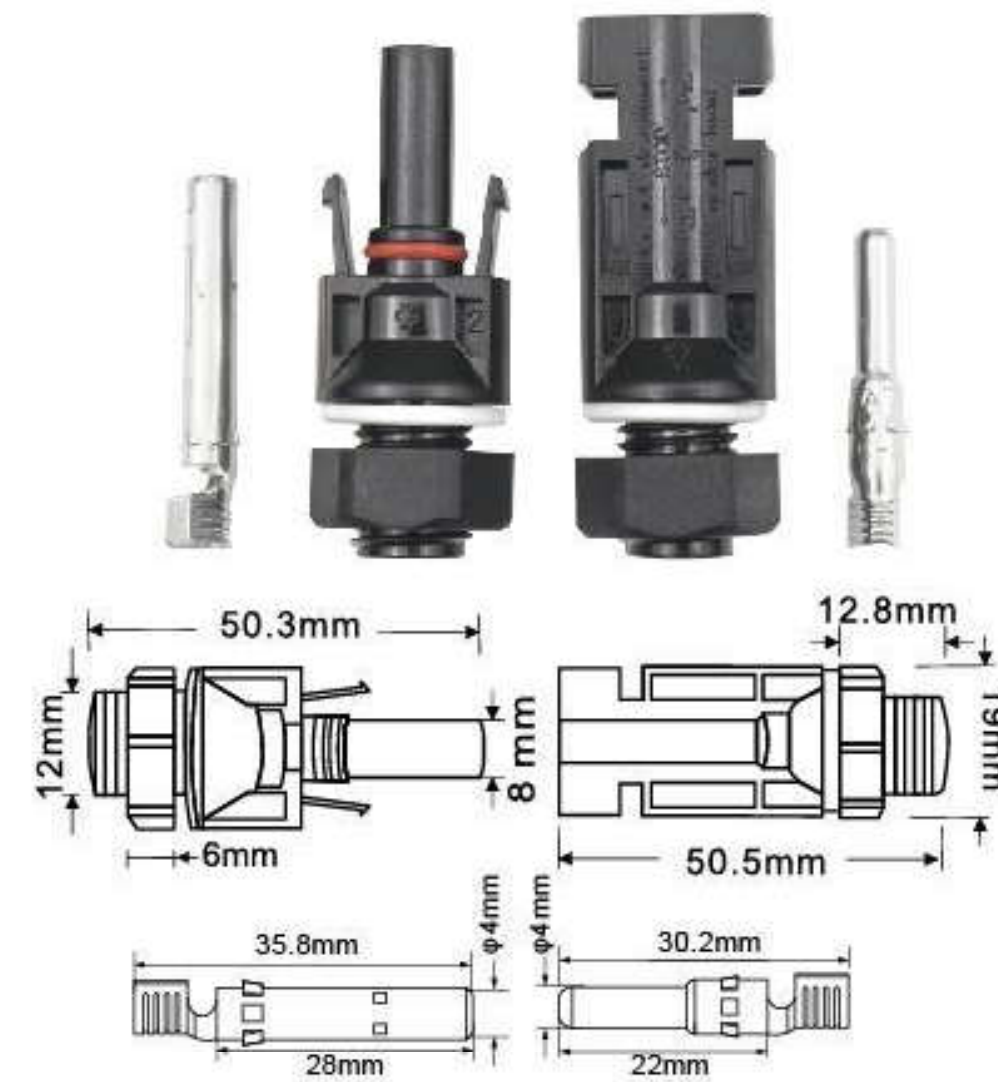


#### Parameters

- Type PV004-3T1
- Rated Voltage 1000V DC
- Rated Current 30A
- Protection Degree IP67
- Contact Resistance  $\leq 0.5m\Omega$
- Ambient Temperature  $-40^{\circ}\text{C}\sim+85^{\circ}\text{C}$
- Contact Materials Tinned copper
- Insulation Material PC EXL9330/XLPO
- Flame Class UL94 V-0
- Input Cable PV Cable  $1 \times 4\text{mm}^2$
- Output Cable PV Cable  $1 \times 4\text{mm}^2$

### Plate End Connector PV004-P

Standard IEC 62852:2014/CE



#### Parameters

- Type PV004-P
- Rated Voltage 1000V DC
- Contact Materials Tinned copper
- Rated Current 30A
- Protection Degree IP65
- Contact Resistance  $\leq 0.5m\Omega$
- Ambient Temperature  $-40^{\circ}\text{C}\sim+85^{\circ}\text{C}$
- Thread Size 12mm
- Insulation Material PPO
- Flame Class UL94 V-0

### 2 to 1 T Branch Connector PV004-T2

Standard IEC 62852:2014/CE



#### Parameters

- Type PV004-T2
- Rated Voltage 1000V DC
- Contact Materials Tinned copper
- Rated Current 30A
- Protection Degree IP65
- Contact Resistance  $\leq 0.5m\Omega$
- Ambient Temperature  $-40^{\circ}\text{C}\sim+85^{\circ}\text{C}$
- Adapter Connector PV004/PV005
- Insulation Material PPO
- Flame Class UL94 V-0

### 3 to 1 T Branch Connector PV004-T3

Standard IEC 62852:2014/CE



#### Parameters

- Type PV004-T3
- Rated Voltage 1000V DC
- Contact Materials Tinned copper
- Rated Current 30A
- Protection Degree IP65
- Contact Resistance  $\leq 0.5m\Omega$
- Ambient Temperature  $-40^{\circ}\text{C}\sim+85^{\circ}\text{C}$
- Adapter Connector PV004/PV005
- Insulation Material PPO
- Flame Class UL94 V-0

### 4 to 1 T Branch Connector PV004-T4

Standard IEC 62852:2014/CE



#### Parameters

- Type PV004-T4
- Rated Voltage 1000V DC
- Contact Materials Tinned copper
- Rated Current 30A
- Protection Degree IP65
- Contact Resistance  $\leq 0.5m\Omega$
- Ambient Temperature  $-40^{\circ}\text{C}\sim+85^{\circ}\text{C}$
- Adapter Connector PV004/PV005
- Insulation Material PPO
- Flame Class UL94 V-0

# PV 004 Solar PV Connector

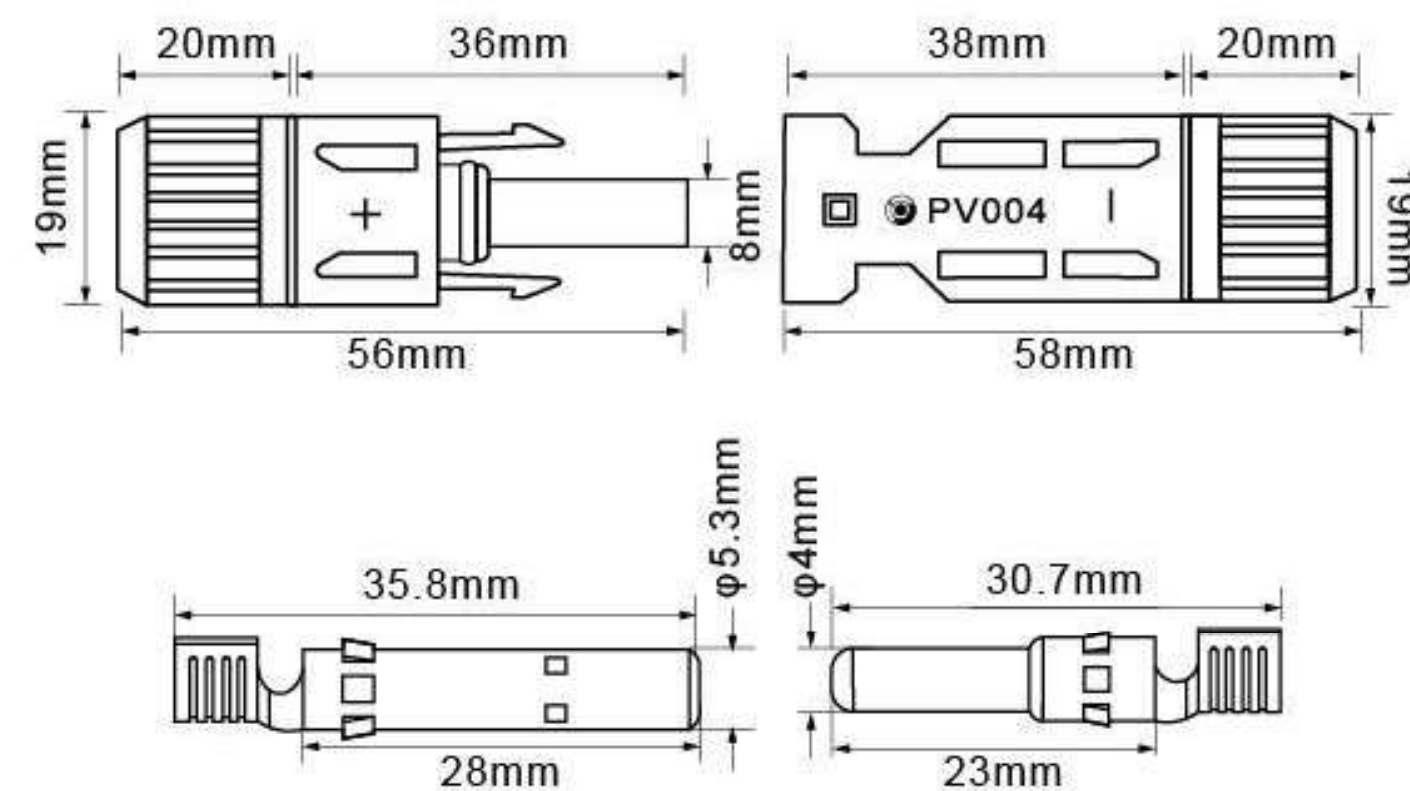


Standard IEC 62852:2014/TÜV



## Parameters

- Type PV004
- Rated Voltage 1000V DC
- Contact Materials Tinned copper
- Rated Current 30A
- Standard IEC 62852:2014
- Protection Degree IP67
- Contact Resistance  $\leq 0.5m\Omega$
- Ambient Temperature  $-40^{\circ}\text{C}\sim+85^{\circ}\text{C}$
- Cable Cross Section Area  $2.5\text{mm}^2, 4\text{mm}^2, 6\text{mm}^2$
- Insulation Material PC EXL9330
- Flame Class UL94 V-0

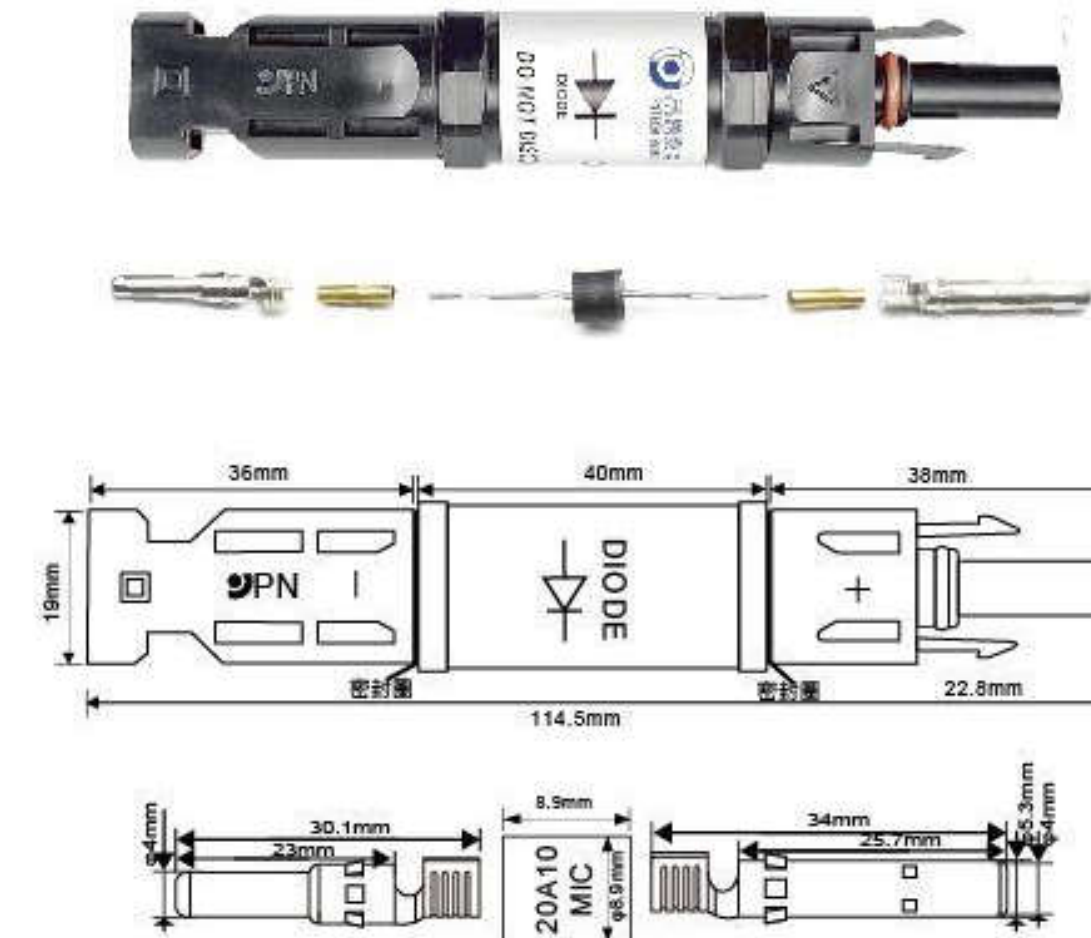


## Feature

- The surface is acid-resistant and UV-resistant
- Good heat resistance and cold resistance
- Quality Assurance for 3 years
- TÜV certification
- Suitable for outdoor harsh environment
- Waterproof and dust proof design
- Flame retardant

# Diode Connector PV004-D

Standard IEC 62852:2014/CE

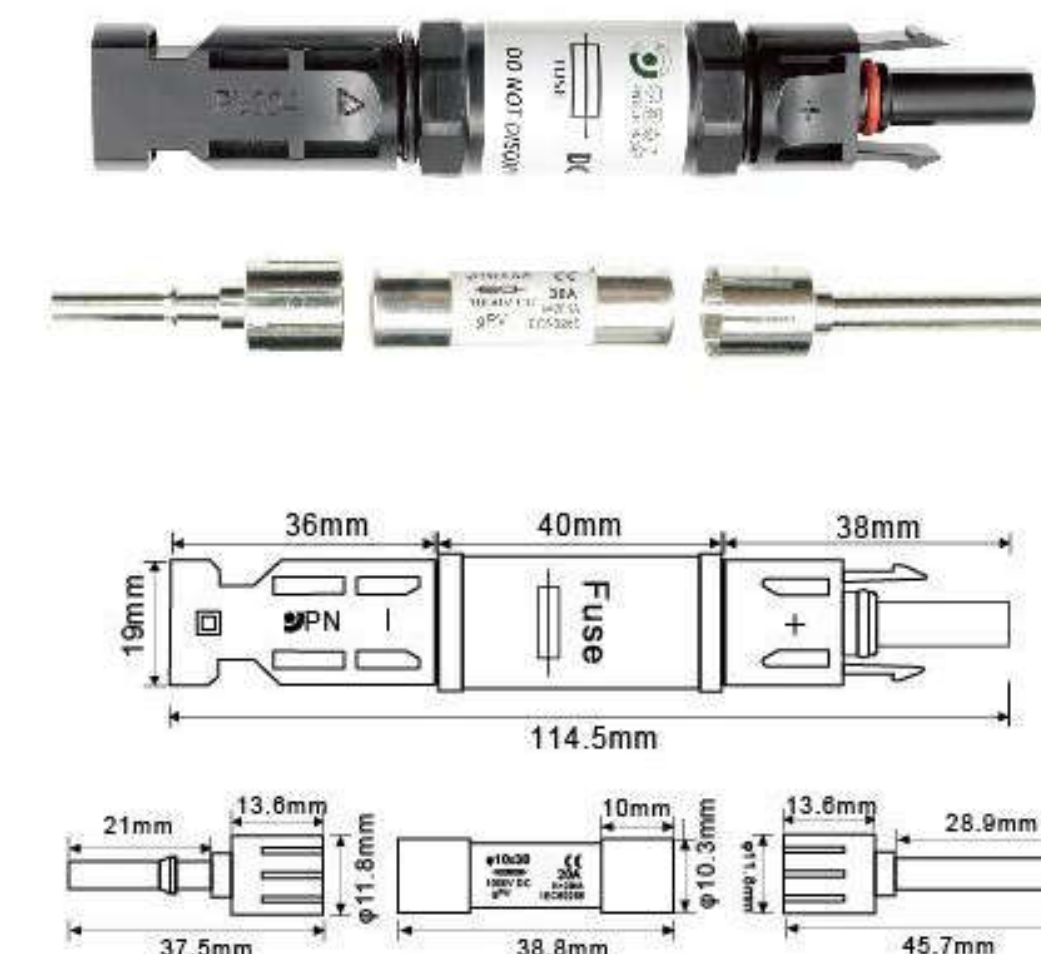


## Parameters

- Type PV004-D
- Rated Voltage 1000V DC
- Contact Materials Tinned copper
- Rated Current 10A, 15A, 20A
- Standard IEC 62852:2014/CE
- Protection Degree IP65
- Contact Resistance  $\leq 0.5m\Omega$
- Ambient Temperature  $-40^{\circ}\text{C}\sim+85^{\circ}\text{C}$
- Insulation Material PC EXL9330/PPO
- Flame Class UL94 V-0

# Fuse Connector PV004-F

Standard IEC 62852:2014/CE



## Parameters

- Type PV004-F
- Rated Voltage 1000V DC
- Contact Materials Tinned copper
- Rated Current 10A, 15A, 20A
- Standard IEC 62852:2014/CE
- Protection Degree IP65
- Contact Resistance  $\leq 0.5m\Omega$
- Ambient Temperature  $-40^{\circ}\text{C}\sim+85^{\circ}\text{C}$
- Insulation Material PC EXL9330/PPO
- Flame Class UL94 V-0

# SOLAR PV CONNECTOR 1000V SERIES



## New Standard Solar PV Connector IEC62852

- ⚡ Load Capability with big current and high voltage
- ⊖ Lower contact resistance
- 💧 Design of waterproof and dust proof
- 🛡️ Excellent performances of high-low temperature resistance, fireproof, anti-ultraviolet



**25 YEARS OF QUALITY  
ADHERING TO THE SAME**

**MAKE PHOTOVOLTAIC  
POWER STATIONS SAFER**

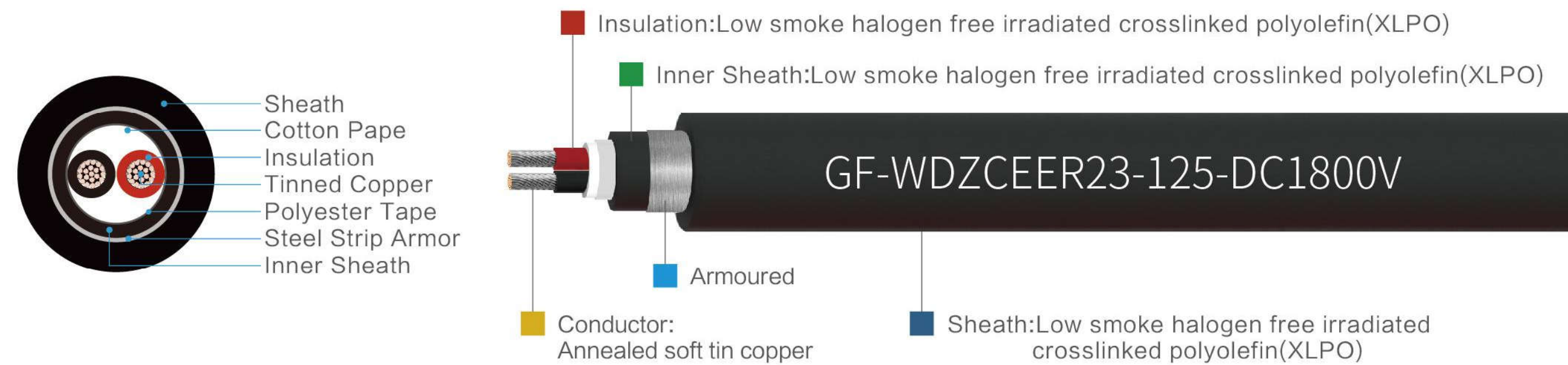


**PNTTECH**

Zhejiang Pntech Technology Co.,Ltd.

# GF-WDZCEER23

Approvals CEEIA B218.2-2012



## TECHNICAL DATA

Rated voltage: DC1.8KV

Voltage test on completed cable: AC6.5KV/5min, DC15KV/5min

Rated temperature: -40°C~+125°C

The permitted short-circuit-temperature referring to a period of 5s is +200°C

Flame Retardant Grade: Flame Retardant Class C, Fire Resistant

Finished cable ozone test: GB/T 2951.21-2008

Ageing properties: GB/T 2951.12-2008

Cold bending test: GB/T 2951.14-2008

Weather/UV Resistant: GB/T 12527-2008

Damp Heat Test: GB/T 2423.3-2006

## THE STRUCTURE OF CABLE (Subject To The Latest Specifications)

Cross section (mm <sup>2</sup> )	Armoured	Conductor construction (φ n/mm ± 0.02)	Conductor stranded (φ mm ± 0.02)	Insulation medium thickness (mm)	Inner Sheath medium thickness (mm)	Sheath medium thickness (≥ mm)	Cable OD (mm ± 0.5)	Cable OD (≤ Ω/Km)
2x1.5	Stainless steel strip	22x0.285	1.6	0.7	0.8	0.8	12.5	13.7
2x2.5		36x0.285	1.9	0.7	0.8	0.8	13.5	8.21
2x4		56x0.285	2.5	0.8	0.8	0.8	15	5.09
2x6		84x0.285	2.9	0.8	0.8	0.8	17	3.39

# H07V-R

Approvals CE 1 × 4mm<sup>2</sup>~50mm<sup>2</sup>



## TECHNICAL DATA

Rated voltage (V) : U0/U450/750V

Ambient Temperature: -15°C~+70°C, laid at ≥0°C

Allowable bending radius: ≥4xD(D < 25mm), ≥6xD(D ≥ 25mm)

Short circuit temperature: 110°C/5s

Executive standard: EN50525-2-31

## THE STRUCTURE OF CABLE (Subject To The Latest Specifications)

Cross section (mm <sup>2</sup> )	Conductor construction (φ n/mm ± 0.02)	Conductor stranded (φ mm ± 0.02)	Sheath medium thickness (≥ mm)	Cable OD (φ mm ± 0.2)	Cable OD (20°C Ω/Km)
4	48x0.3	2.4	0.8	4.2	4.61
6	78x0.3	3.0	0.8	5.1	3.08
10	80x0.39	4.0	1.0	6.5	1.83
16	120x0.39	5.0	1.0	7.6	1.15
25	196x0.39	6.3	1.2	9.2	0.727
35	276x0.39	7.4	1.2	10.3	0.524
50	190x0.55	9.2	1.4	12	0.387

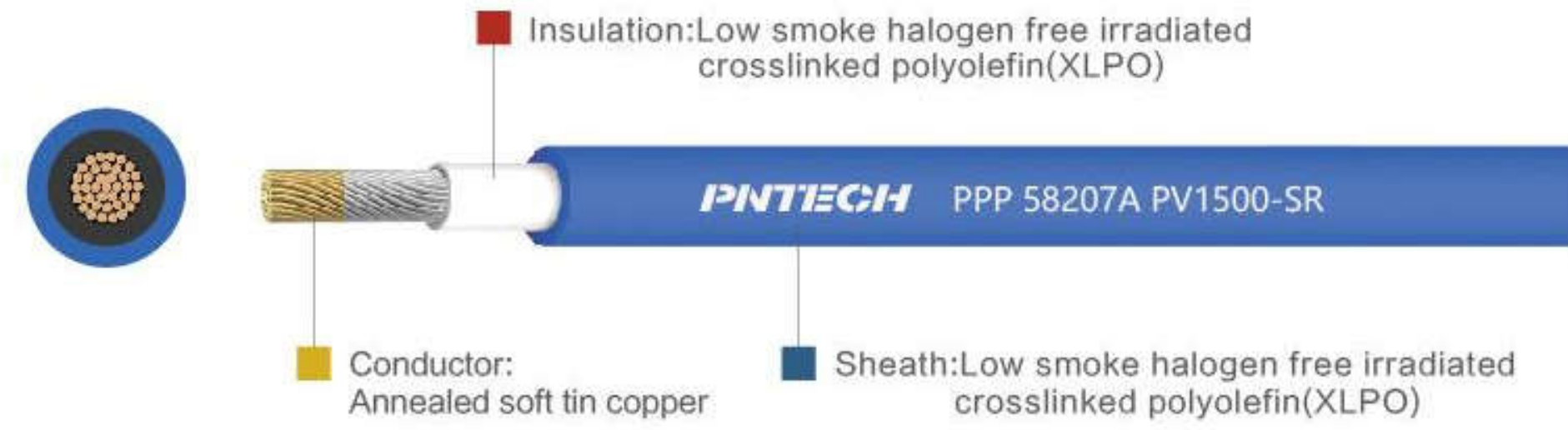
# PV1500-SR

CE RoHS

Approvals PPP 58207A

AD8  
Submersion

- UV resistance
- Highly Flame Retardant
- Low smoke, no halogen
- High and low temperature resistance
- Anti-ageing
- Salt Spray Testing



## TECHNICAL DATA

**Conductor:** Annealed soft tin copper

**Sheath/Insulation:** XLPO

**Rated voltage:** AC U<sub>0</sub>/U 1.0/1.0KV, DC 1.5KV

**Voltage test on completed cable:** AC 6.5KV/5min, DC 15KV/5min

**Approvals:** EN50618:2014

**Temperature rating:** Ambient temperature: -40°C~+90°C  
The permitted short-circuit-temperature referring to a period of 5s is +200°C

**Testing Standards:** Cold bending test: EN60811-504  
Test under fire condition: EN60332-1-2

## THE STRUCTURE OF CABLE (Subject To The Latest Specifications)

Cross section (mm <sup>2</sup> )	Conductor construction (φ n/mm ± 0.015)	Conductor stranded (φ mm ± 0.02)	Insulation medium thickness (≥ mm)	Sheath medium thickness (≥ mm)	Cable OD (φ mm ± 0.2)	Conductor Dc Resistance (Ω/Km)	Current carrying capacity AT 60° C(A)
1.5	22x0.285	1.5	0.7	0.8	4.6	13.7	24
2.5	36x0.285	2.0	0.7	0.8	5.1	8.21	33
4	56x0.285	2.4	0.7	0.8	5.5	5.09	44
6	84x0.285	3.0	0.7	0.8	6.3	3.39	57
10	80x0.39	4.0	0.7	0.8	7.3	1.95	79
16	120x0.39	5.0	0.7	0.9	9.0	1.24	107
25	196x0.39	6.3	0.9	1.0	11.2	0.795	142
35	276x0.39	7.4	0.9	1.0	12.4	0.565	176

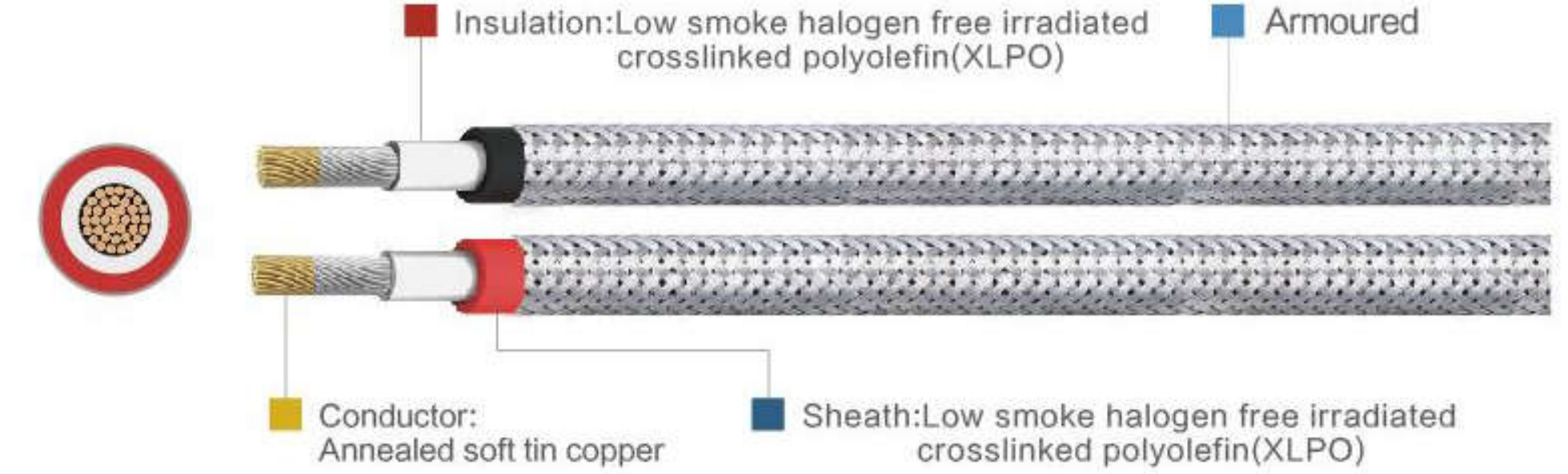
# H1Z2Z2-K

TUV SUD CE RoHS

Approvals TÜV SÜD EN50618:2014



- UV resistance
- Highly Flame Retardant
- Low smoke, no halogen
- High and low temperature resistance
- Anti-ageing



## TECHNICAL DATA

**Conductor:** Annealed soft tin copper

**Armoured:** Stainless steel

**Sheath/Insulation:** XLPO

**Rated voltage:** AC U<sub>0</sub>/U 1.0/1.0KV, DC 1.5KV

**Voltage test on completed cable:** AC 6.5KV/5min, DC 15KV/5min

**Approvals:** EN50618:2014

**Temperature rating:** Ambient temperature: -40°C~+90°C  
The permitted short-circuit-temperature referring to a period of 5s is +200°C

**Testing Standards:** Cold bending test: IEC 60811-504  
Test under fire condition: EN 60332-1-2

## THE STRUCTURE OF CABLE (Subject To The Latest Specifications)

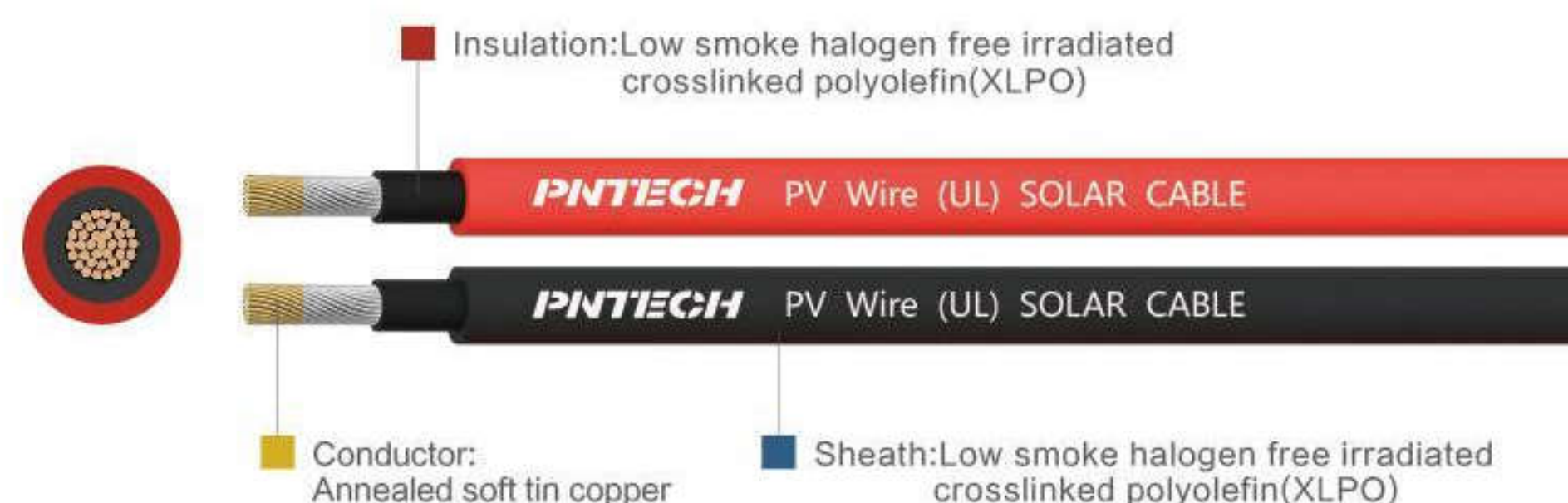
Cross section (mm <sup>2</sup> )	Conductor construction (φ n/mm ± 0.015)	Conductor stranded (φ mm ± 0.02)	Insulation medium thickness (≥ mm)	Sheath medium thickness (≥ mm)	Cable OD (φ mm ± 0.2)	Conductor Dc Resistance (Ω/Km)	Current carrying capacity AT 60° C(A)
1.5	22x0.285	1.5	0.7	0.8	5.2	13.7	24
2.5	36x0.285	2.0	0.7	0.8	5.7	8.21	33
4	56x0.285	2.4	0.7	0.8	6.1	5.09	44
6	84x0.285	3.0	0.7	0.8	6.9	3.39	57
10	80x0.39	4.0	0.7	0.8	7.9	1.95	79
16	120x0.39	5.0	0.7	0.9	9.6	1.24	107
25	196x0.39	6.3	0.9	1.0	11.8	0.795	142
35	276x0.39	7.4	0.9	1.0	13	0.565	176

# PV wire



Approvals UL4703 PV 16AWG~2AWG

- UV resistance
- Highly Flame Retardant
- Low smoke, no halogen
- High and low temperature resistance
- Anti-ageing



## TECHNICAL DATA

Rated voltage:(U):U=1.0KV / 2.0KVAC

Test voltage:(Uo):U=1.0KV, 2.0KV

18~10AWG,Uo=6.0KV, 50HZ, 1min

8~2 AWG,Uo=7.5KV, 50HZ, 1min

Ambient temperature:-40°C~+90°C

Flame test:UL1581 VW-1

Relative permittivity:UL854

Stability factor:UL854

Sunlight resistance:UL2556

Cold bending test:UL854

## THE STRUCTURE OF CABLE (Subject To The Latest Specifications)

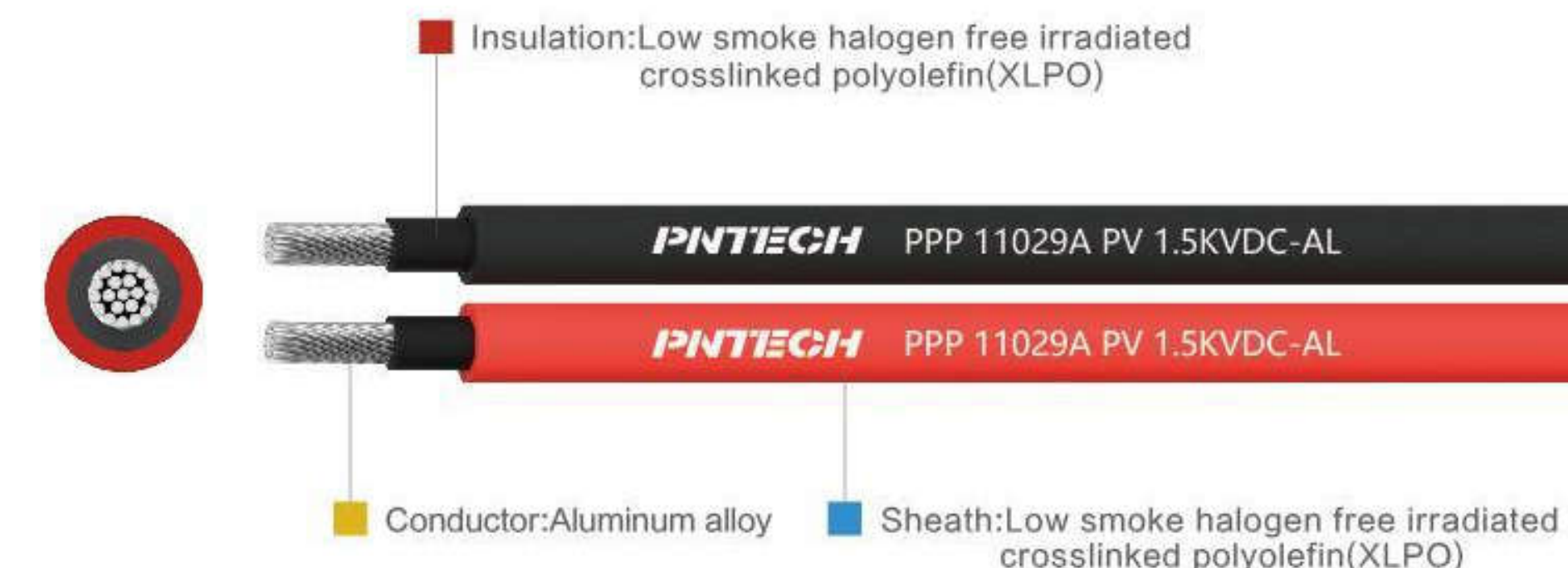
AWG	Nominal Area	Conductor construction (φ n/mm ±0.02)	1000V and 2000V Cable OD (φ mm ±0.02)	Conductor MAX. Resistance AT 20°C (Ω/km)
16	1.31	18×0.29	5	14.6
14	2.08	32×0.29	5.7	8.96
12	3.31	48×0.29	6.3	5.64
10	5.261	78×0.29	6.8	3.546
8	8.367	68×0.38	7.8	2.23
6	13.3	116×0.38	8.8	1.403
4	21.15	180×0.38	10.1	0.882
2	33.62	260×0.39	12.5	0.5548

# PV 1500DC-AL



Approvals PPP 11029A PV 1.5KVDC-AL Photovoltaic Aluminum Alloy Cable

- UV resistance
- Highly Flame Retardant
- Low smoke, no halogen
- High and low temperature resistance
- Anti-ageing



## TECHNICAL DATA

Conductor: Aluminum alloy

Sheath/Insulation: XLPO

Rated voltage: AC U<sub>w</sub>/U 1.0/1.0 KV, DC 1.5 KV

Voltage test on completed cable: AC6.5KV/5min, DC15KV/5min

Approvals:

PPP 11029A:2019

Temperature rating:

Ambient temperature: -40°C~+90°C

The permitted short-circuit-temperature referring to a period of 5s is +200°C

Testing Standards:

Cold bending test: IEC 60811-504

Test under fire condition: EN 60332-1-2

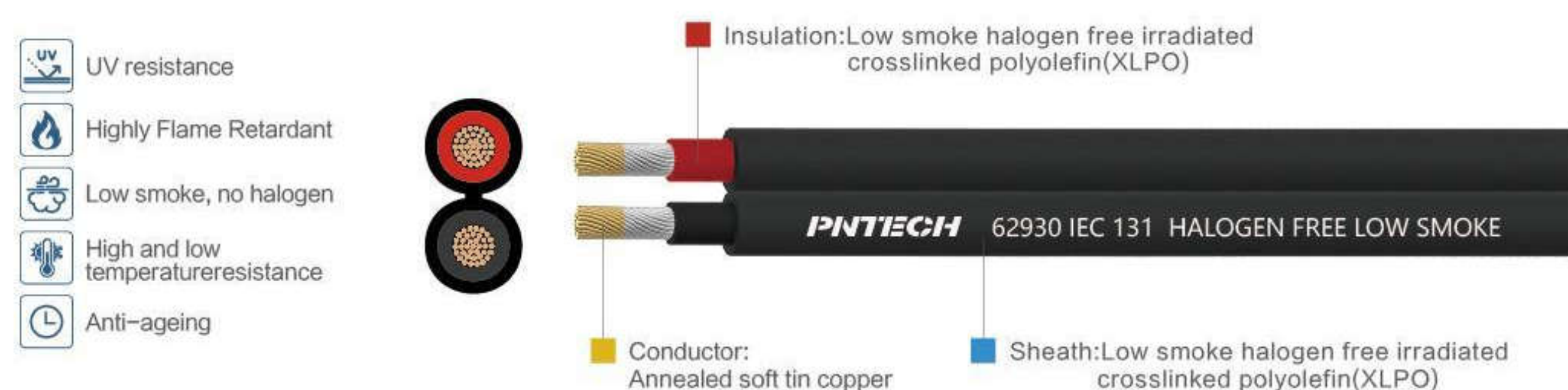
## THE STRUCTURE OF CABLE (Subject To The Latest Specifications)

Cross section (mm <sup>2</sup> )	Conductor construction (φ n/mm ±0.015)	Conductor stranded (φ mm ±0.02)	Insulation medium thickness (≥mm)	Sheath medium thickness (≥mm)	Cable OD (φ mm ±0.2)	Conductor Dc Resistance (Ω/Km)	Current carrying capacity AT 60° C(A)
4	56x0.3	2.6	0.7	0.8	5.6	7.85	30
6	84x0.3	3.2	0.7	0.8	6.4	5.23	39
10	80x0.4	4.2	0.7	0.8	8.3	3.08	51

# 62930 IEC131



**Approvals** TÜV Rheinland 62930 IEC 131 Double parallel solar cable



## TECHNICAL DATA

**Conductor:** Annealed soft tin copper

**Sheath/Insulation:** XLPO

**Rated voltage:** AC  $U_0/U$  1.0/1.0KV, DC 1.5KV

**Voltage test on completed cable:** AC 6.5KV/5min, DC 15KV/5min

**Approvals:**

IEC 62930:2017

**Temperature rating:**

Ambient temperature:  $-40^{\circ}\text{C}$ ~ $+90^{\circ}\text{C}$

The permitted short-circuit-temperature referring to a period of 5s is  $+200^{\circ}\text{C}$

**Testing Standards:**

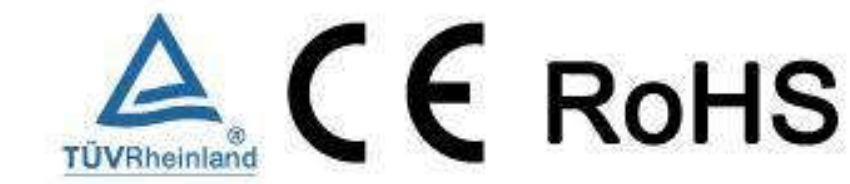
Cold bending test: IEC 60811-504

Test under fire condition: EN 60332-1-2

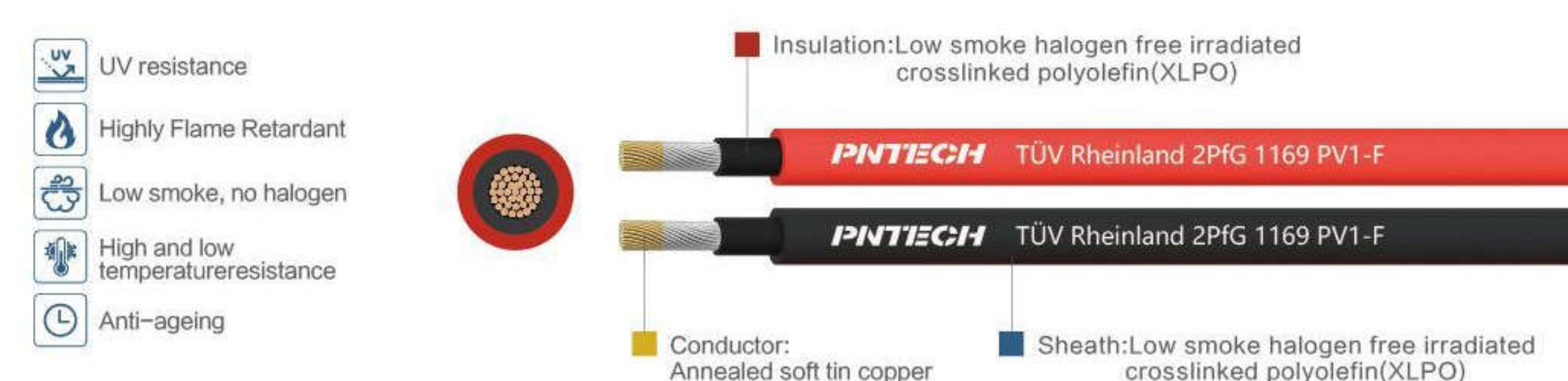
## THE STRUCTURE OF CABLE (Subject To The Latest Specifications)

Cross section (mm <sup>2</sup> )	Conductor construction (± n/mm ± 0.015)	Conductor stranded (± mm ± 0.02)	Insulation medium thickness (≥ mm)	Sheath medium thickness (≥ mm)	Cable OD (± mm ± 0.2)	Conductor Dc Resistance (Ω/Km)	Current carrying capacity AT 60° C(A)
2x2.5	36x0.285	2.0	0.7	0.8	5.1 × 10.5	8.21	33
2x4	56x0.285	2.4	0.7	0.8	5.5 × 11.8	5.09	45
2x6	84x0.285	3.0	0.7	0.8	6.2 × 12.6	3.39	58
2x10	80x0.39	4.0	0.7	0.8	7.5 × 15.4	1.95	80

# PV1-F



**Approvals** TÜV Rheinland 2PFG 1169



## TECHNICAL DATA

**Conductor:** Annealed soft tin copper

**Sheath/Insulation:** XLPO

**Rated voltage:** AC  $U_0/U$  0.6/1.0KV, DC 1.0KV

**Voltage test on completed cable:** AC 6.5KV/5min, DC 15KV/5min

**Approvals:**

2 PFG 1169 / 08.07

**Temperature rating:**

Ambient temperature:  $-40^{\circ}\text{C}$ ~ $+90^{\circ}\text{C}$

The permitted short-circuit-temperature referring to a period of 5s is  $+200^{\circ}\text{C}$

**Testing Standards:**

Cold bending test: EN 60811-1-4

Test under fire condition: EN 60332-1-2

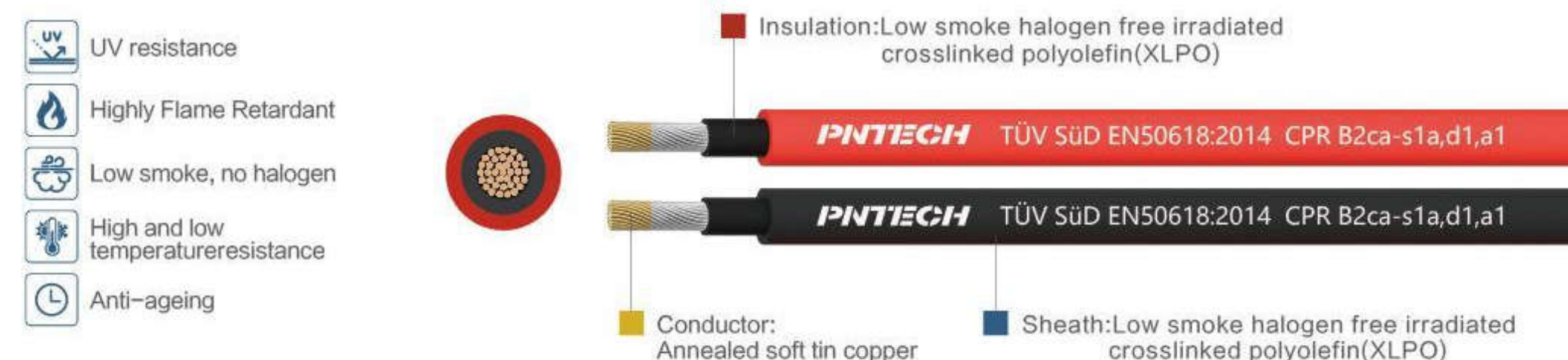
## THE STRUCTURE OF CABLE (Subject To The Latest Specifications)

Cross section (mm <sup>2</sup> )	Conductor construction (± n/mm ± 0.015)	Conductor stranded (± mm ± 0.02)	Insulation medium thickness (≥ mm)	Sheath medium thickness (≥ mm)	Cable OD (± mm ± 0.2)	Conductor Dc Resistance (Ω/Km)	Current carrying capacity AT 60° C(A)
1.5	22x0.285	1.5	0.5	0.5	4.3	13.7	24
2.5	36x0.285	2.0	0.5	0.5	4.8	8.21	33
4	56x0.285	2.4	0.5	0.5	5.2	5.09	44
6	84x0.285	3.0	0.5	0.5	6.1	3.39	57
10	80x0.39	4.0	0.5	0.5	7.2	1.95	79
16	120x0.39	5.0	0.5	0.5	8.4	1.24	107
25	196x0.39	6.3	0.5	0.5	10.2	0.795	142
35	276x0.39	7.4	0.5	0.5	11.2	0.565	176

# H1Z2Z2-K



Approvals TÜV SÜD EN50618:2014 CPR B2ca-s1a,d1,a1



## TECHNICAL DATA

Conductor: Annealed soft tin copper

Sheath/Insulation: XLPO

Rated voltage: AC U<sub>w</sub>/U 1.0/1.0KV, DC 1.5KV

Voltage test on completed cable: AC 6.5KV/5min, DC 15KV/5min

Approvals:

EN50618:2014

Temperature rating:

Ambient temperature: -40°C~+90°C

The permitted short-circuit temperature referring to a period of 5s is +200°C

Testing Standards:

Cold bending test: EN60811-504

Test under fire condition: EN60332-1-2

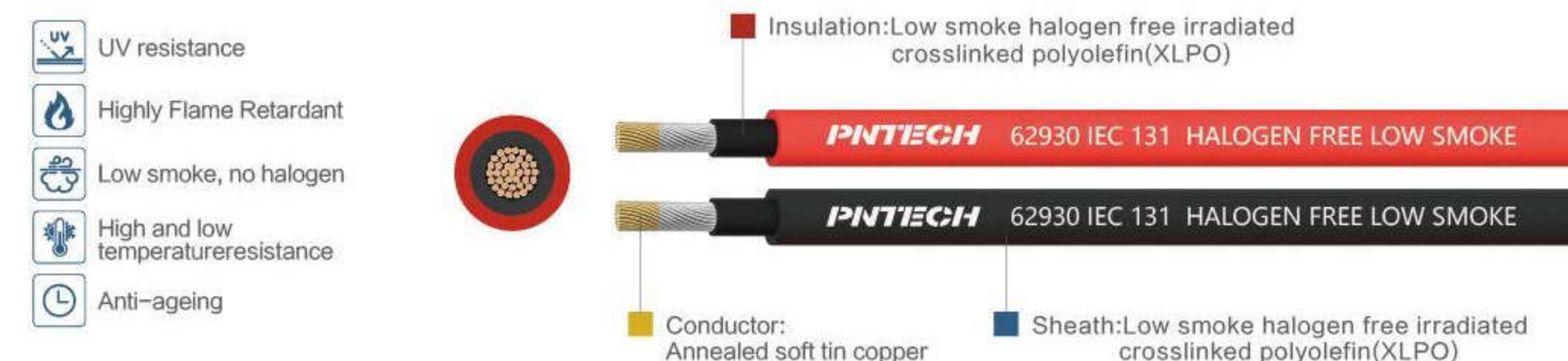
## THE STRUCTURE OF CABLE (Subject To The Latest Specifications)

Cross section (mm <sup>2</sup> )	Conductor construction (φ n/mm ± 0.015)	Conductor stranded (φ mm ± 0.02)	Insulation medium thickness (≥ mm)	Sheath medium thickness (≥ mm)	Cable OD (φ mm ± 0.2)	Conductor Dc Resistance (Ω/Km)	Current carrying capacity AT 60° C(A)
1.5	22x0.285	1.5	0.7	0.8	4.6	13.7	24
2.5	36x0.285	2.0	0.7	0.8	5.1	8.21	33
4	56x0.285	2.4	0.7	0.8	5.5	5.09	44
6	84x0.285	3.0	0.7	0.8	6.3	3.39	57
10	80x0.39	4.0	0.7	0.8	7.3	1.95	79
16	120x0.39	5.0	0.7	0.9	9.0	1.24	107
25	196x0.39	6.3	0.9	1.0	11.2	0.795	142
35	276x0.39	7.4	0.9	1.0	12.4	0.565	176

# 62930 IEC131



Approvals TÜV Rheinland IEC 62930 131



## TECHNICAL DATA

Conductor: Annealed soft tin copper

Sheath/Insulation: XLPO

Rated voltage: AC U<sub>w</sub>/U 1.0/1.0KV, DC 1.5KV

Voltage test on completed cable: AC 6.5KV/5min, DC 15KV/5min

Approvals:

IEC 62930:2017

Temperature rating:

Ambient temperature: -40°C~+90°C

The permitted short-circuit temperature referring to a period of 5s is +200°C

Testing Standards:

Cold bending test: IEC 60811-504

Test under fire condition: EN 60332-1-2

## THE STRUCTURE OF CABLE (Subject To The Latest Specifications)

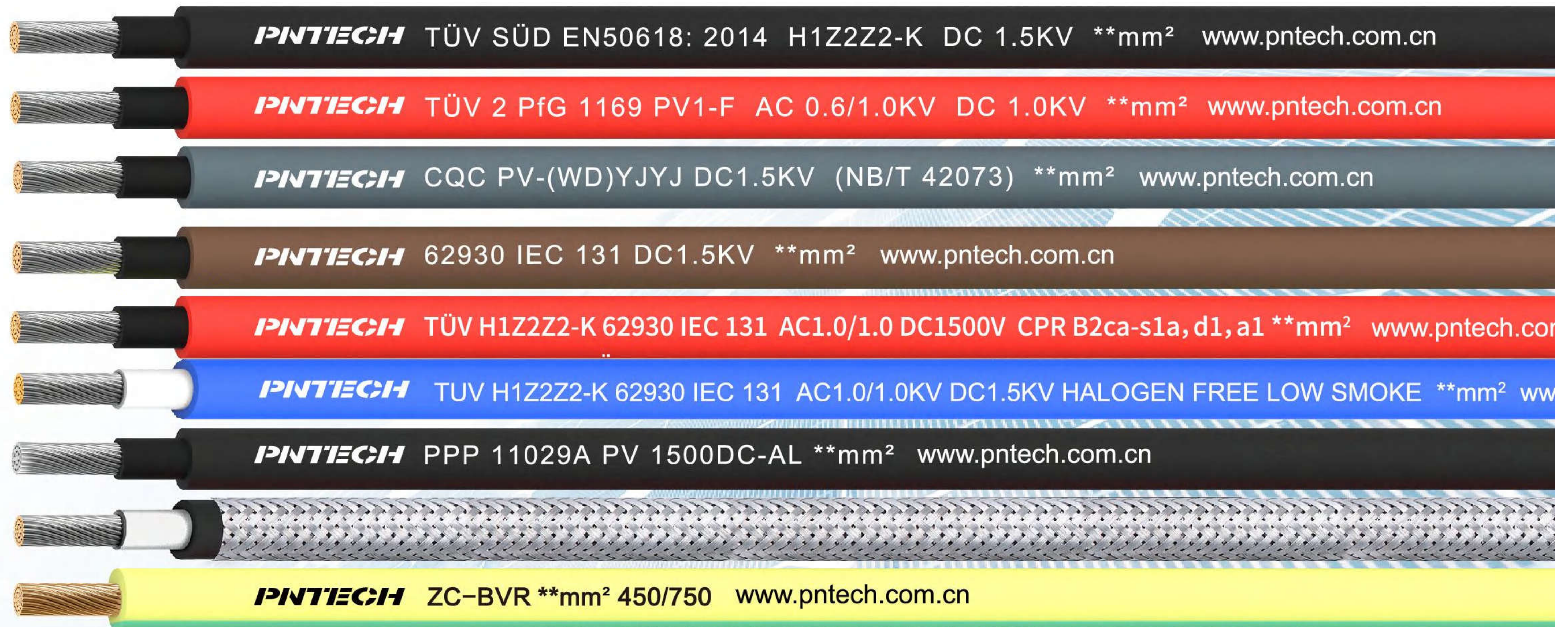
Cross section (mm <sup>2</sup> )	Conductor construction (φ n/mm ± 0.015)	Conductor stranded (φ mm ± 0.02)	Insulation medium thickness (≥ mm)	Sheath medium thickness (≥ mm)	Cable OD (φ mm ± 0.2)	Conductor Dc Resistance (Ω/Km)	Current carrying capacity AT 60° C(A)
1.5	22x0.285	1.5	0.7	0.8	4.6	13.7	24
2.5	36x0.285	2.0	0.7	0.8	5.1	8.21	33
4	56x0.285	2.4	0.7	0.8	5.5	5.09	45
6	84x0.285	3.0	0.7	0.8	6.3	3.39	58
10	80x0.39	4.0	0.7	0.8	7.3	1.95	80
16	120x0.39	5.0	0.7	0.9	9.0	1.24	107
25	196x0.39	6.3	0.9	1.0	11.2	0.795	138
35	276x0.39	7.4	0.9	1.0	12.4	0.565	171

# DC SOLAR PV CABLE



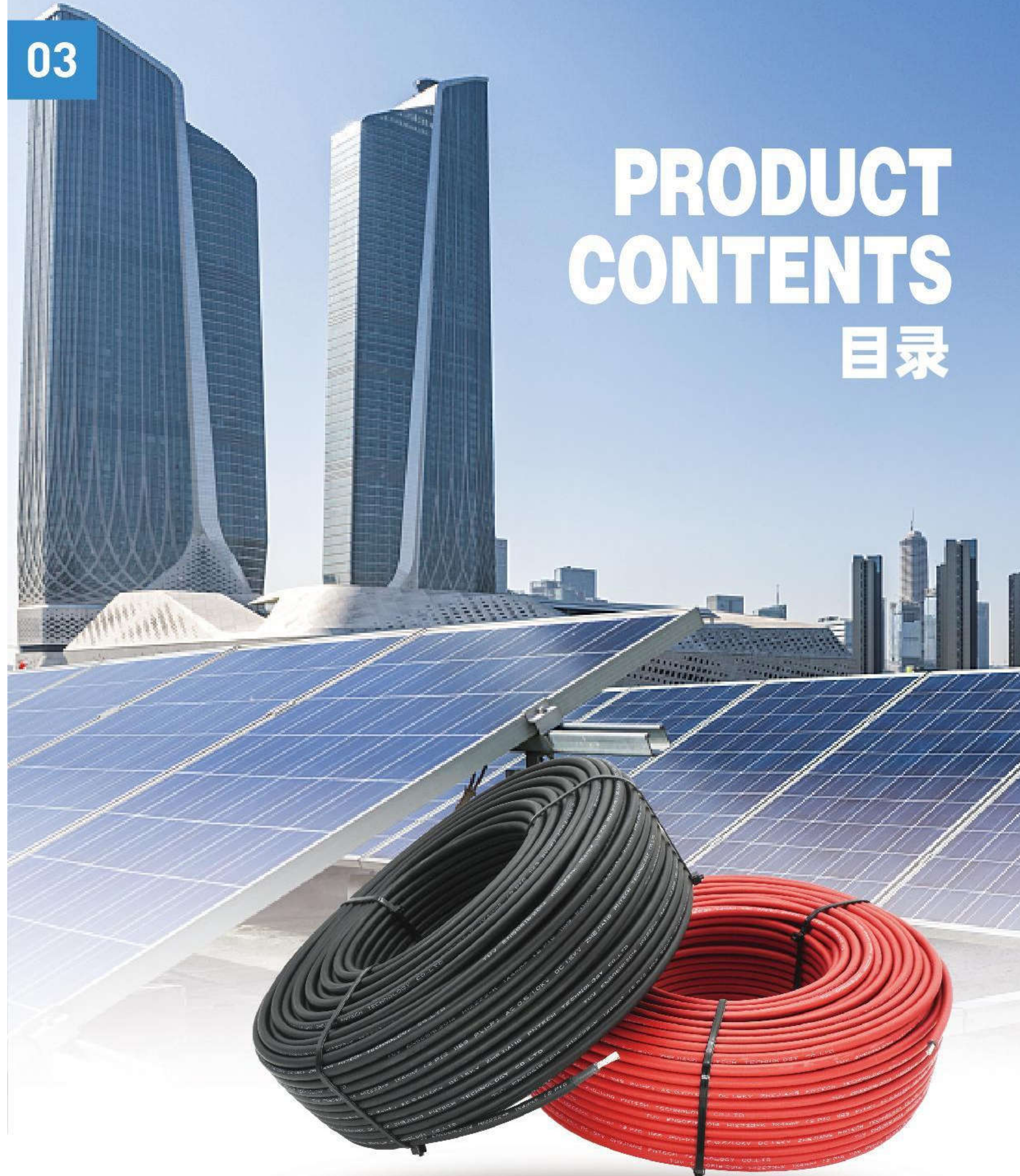
## 25 YEAR LIFE SPAN / 5 YEAR WARRANTY

PV cable is mainly used for solar PV assemblies and the installation of PV power stations. We use Halogen Free Cross-Linked Polyolefin (XLPO/XLPE) for insulation and jacket, so the cable can bear the solar radiation and be used at high/low temperatures.



# PRODUCT CONTENTS

## 目录



### Company Profile

- **Certification** ..... 01/02
- **Contents** ..... 03/04

### DC Solar PV Cable

- **H1Z2Z2-K** ..... 05
- **62930 IEC131** ..... 06
- **62930 IEC131 Double parallel solar cable** ..... 07
- **PV1-F** ..... 08
- **PV wire** ..... 09
- **PV 1500DC-AL Photovoltaic Aluminum Alloy cable** .... 10

### PV Cable for Offshore Use

- ..... 11

### Armoured Photovoltaic Cable

- ..... 12/13

### Grounding wire

- ..... 14

### Solar PV Connector 1000V Series

- **Solar PV Connector 1000V Series** ..... 15/17
- **T Branch Connector 1000V Series** ..... 18/19
- **Y Branch Connector 1000V Series** ..... 20/22

### Solar PV Connector 1500V Series

- **Solar PV Connector 1500V Series** ..... 23/24
- **T/Y Branch Connector 1500V Series** ..... 27/30

### Solar Extension Cable

- **Solar Extension Cable** ..... 31/32
- **Flattened PV Extension Cord** ..... 33/34
- **Micro Inverter Extension Cord** ..... 35/36
- **Intelligent Component Optimise** ..... 37/38
- **PV Rapid Shutdown** ..... 39/40
- **Solar Tool Kits** ..... 41/42

# HONOR OF PNTECH QUALIFICATION CERTIFICATIONS





# COMPANY PROFILE



## Zhejiang Pntech Technology Co.,Ltd.

Pntech was founded in 2011, is a collection of solar accessories production, sales, research and development and service as one of the high-tech enterprises. At present, the business covers the production and sales of solar photovoltaic cables, photovoltaic cable connectors, photovoltaic BIPV special wiring harness adapters and photovoltaic link applications. With the ability to provide one-stop solar energy solutions, to provide customers with high-quality photovoltaic cable and accessories products, and to provide installation and energy supporting programs.

In recent years, as a professional manufacturer focusing on the field of solar photovoltaic power generation, Pntech has actively responded to the call of "low-carbon economy, green energy" advocated by the national 14th Five-Year Plan. Pntech has won the titles of National high-tech Enterprise, member of Science and Technology Innovation Committee, "Entrepreneurial Star" of Zhejiang Province, "Specialized and special new" cultivation enterprise of Zhejiang Province, etc. It has passed ISO9001 manufacturing management certification, ISO14001 environmental management system certification, EU CE certification, TUV-IEC 62852 certification, TUV certification, Vietnam Quatest 3, China Quality CQC certification and EU CPR certification and other domestic and foreign authoritative certifications. With 6 automatic production lines, 15 injection molding machines, photovoltaic cable monthly production capacity of 20,000 kilometers, photovoltaic connector monthly production capacity of 2 million sets. Products are exported to Europe, Southeast Asia, the Middle East, Australia, South America and other dozens of countries and regions.



- ENVIRONMENTAL FRIENDLY •
- LOW CARBON •
- ENERGY •



CONTACT US

400-887-1128

[www.pntech.com.cn](http://www.pntech.com.cn)

[peak@pntech.com.cn](mailto:peak@pntech.com.cn)

No. 108, West Section of Yinxian Avenue, Haishu District, Ningbo, Zhejiang, China



FOCUS ON ENTERPRISE  
WECHAT

Zhejiang Pntech Technology Co.,Ltd.