



SOLAR PUMP

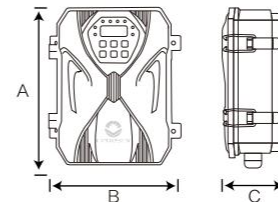
PROFESSIONAL SOLAR PUMP MANUFACTURER



CONTROLLER



DC controller



Wide Voltage HV Controller



AC/DC auto-switching controller (≤2.2KW)



AC/DC auto-switching controller (3KW-4KW)



AC/DC auto-switching controller (5.5KW-22KW)

TECHNICAL DATA

Model	Dimensions (cm)			Weight(kg)
	A	B	C	
DC controller	21.5	18	8	1.5
Wide voltage HV controller	24	23	11	2.2
AC/DC auto-switching controller (≤2.2KW)	24	23	11	2.3
AC/DC auto-switching controller (3KW-4KW)	29	23	11	2.5
AC/DC auto-switching controller (5.5KW-22KW)	30.5	25.5	16	5.5

WORKING ENVIRONMENT AND ELECTRICAL PROPERTY

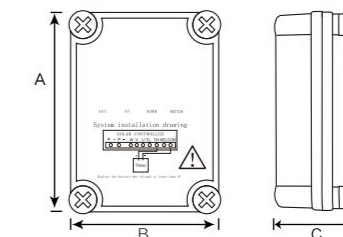
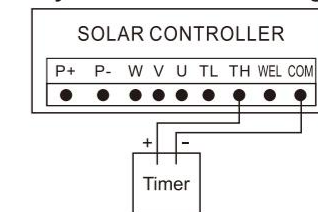
Controller and Pump Matching Method					
Controller Model	Adaptable Pump	Max.Input Current (A)	Max.Open Circuit Voltage (V)	Optimum MPPT Voltage(v)	Working Temperature (°C)
DF-12	Rated 12V Pump	17	<55	30-48	-15 ~ 60
DF-24	Rated 24V Pump	17	<55	30-48	-15 ~ 60
DF-36	Rated 36V Pump	17	<55	30-48	-15 ~ 60
DF-48	Rated 48V Pump	17	<105	60-90	-15 ~ 60
DF-72	Rated 72V Pump	17	<160	90-120	-15 ~ 60
DF-110	Rated 110V Pump	17	<210	110-150	-15 ~ 60
DF-72-A/D	Rated 72V-A/D Pump	17	<430	100-190	-15 ~ 60
DF-110-A/D	Rated 110V-A/D Pump	17	<430	110-190	-15 ~ 60
DF-150-A/D	Rated 150V-A/D Pump	17	<430	150-220	-15 ~ 60
DF-200-A/D	Rated 200V-A/D Pump	17	<430	200-290	-15 ~ 60
DF-300-A/D	Rated 300V-A/D Pump	17	<430	300-390	-15 ~ 60
DF-380-A/D	Rated 380V-A/D Pump	17-32	<780	520-750	-15 ~ 60
DF-110-HV	Rated 110V-HV Pump	17	<430	110-190	-15 ~ 60
DF-150-HV	Rated 150V-HV Pump	17	<430	150-220	-15 ~ 60
DF-200-HV	Rated 200V-HV Pump	17	<430	200-290	-15 ~ 60
DF-300-HV	Rated 300V-HV Pump	17	<430	300-390	-15 ~ 60

TIMER FOR SOLAR PUMP

Set the startup and shutdown time to intelligently control the operation of the solar pump. Can be matched with other factory's controllers.



System installation drawing

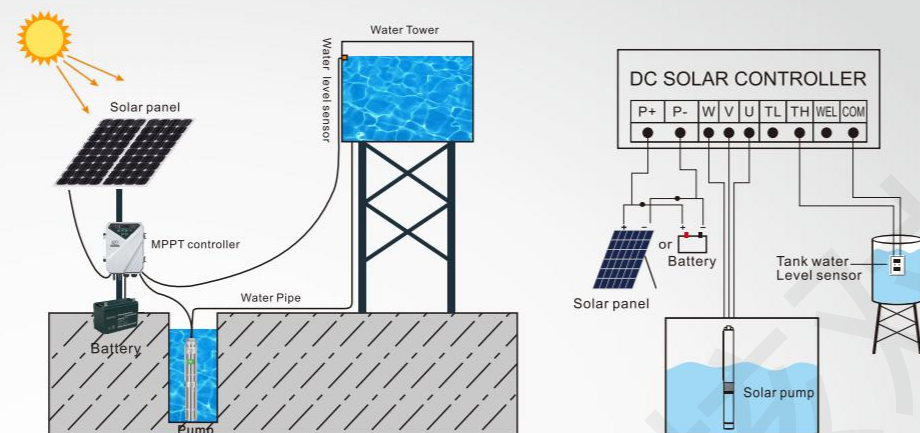


TECHNICAL DATA

Model	Dimensions (cm)			Weight(kg)
	A	B	C	
TIMER	11	8	4.5	0.25

DC SUBMERSIBLE PUMP

Environmental protection and energy saving



DC EXTERNAL CONTROLLER TYPE

ADVANTAGE OF DC SOLAR PUMP

1. Permanent magnet DC brushless synchronous motor: The efficiency is increased by 15% – 20%, saving energy consumption.
2. The whole 304 stainless steel rotor shaft avoids the risk of shaft breakage.
3. Brass/Stainless steel outlet/connector/ oil cylinder, with better corrosion resistance.
4. Japanese NSK bearing, longer working life.
5. Double bearing structure at the bottom of rotor, using angular contact bearing, can withstand greater axial pressure.
6. Silicon carbide-impregnated graphite mechanical seal, long service life and reliable operation.
7. 180°C high temperature resistant copper wire, insulation class F.
8. Cold rolled 600 silicon steel sheet stator and rotor.
9. The magnet is made of 40SH aluminum iron boron, with a temperature resistance of 150°C.
10. 304 S/S pump shaft.
11. Controller:
 - (1) Waterproof grade: IP65
 - (2) Wide open circuit voltage range
 - (3) Ambient temperature: -15°C~60°C
 - (4) MPPT function, the solar power utilization rate is higher.
 - (5) LED displays the power, voltage, current, speed etc working condition.
 - (6) It can automatically adjust the speed for operation according to the sunlight power, and can also manually adjust the speed for operation according to the actual demand.
 - (7) Automatic startup and shutdown, without personnel on duty.
 - (8) Soft start: No impulse current, protect the pump motor.
 - (9) Over-voltage/undervoltage/over-current/phase loss/short circuit/water shortage/high temperature protection etc.
 12. 2 years warranty.



DC controller

2LVPC

2" DC BRUSHLESS SOLAR PUMP WITH PLASTIC IMPELLER

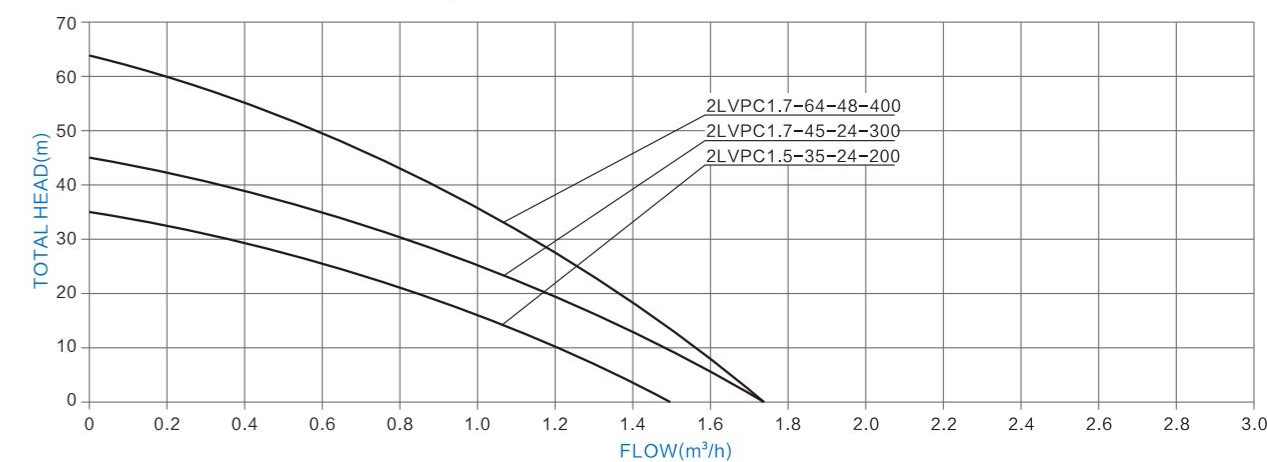


DC controller

TECHNICAL DATA

ITEM	Voltage	Optimum input voltage (DC)	Power	Max. Flow	Max. Head	Outlet	Cable	Solar panel	
								Open circuit voltage(VOC)	Power
2LVPC1.5-35-24-200	24V	30V-48V	200W	1.5m ³ /h	35m	0.75"	2m	<55V	≥1.3*PUMP POWER
2LVPC1.7-45-24-300	24V	30V-48V	300W	1.7m ³ /h	45m	0.75"	2m	<55V	≥1.3*PUMP POWER
2LVPC1.7-64-48-400	48V	60V-90V	400W	1.7m ³ /h	64m	0.75"	2m	<105V	≥1.3*PUMP POWER

HYDRAULIC PERFORMANCE CURVES



FREE SPARE PARTS



3LVSS

3"DC BRUSHLESS SCREW SOLAR PUMP



Screw



NSK Bearing



Stainless steel oil cylinder

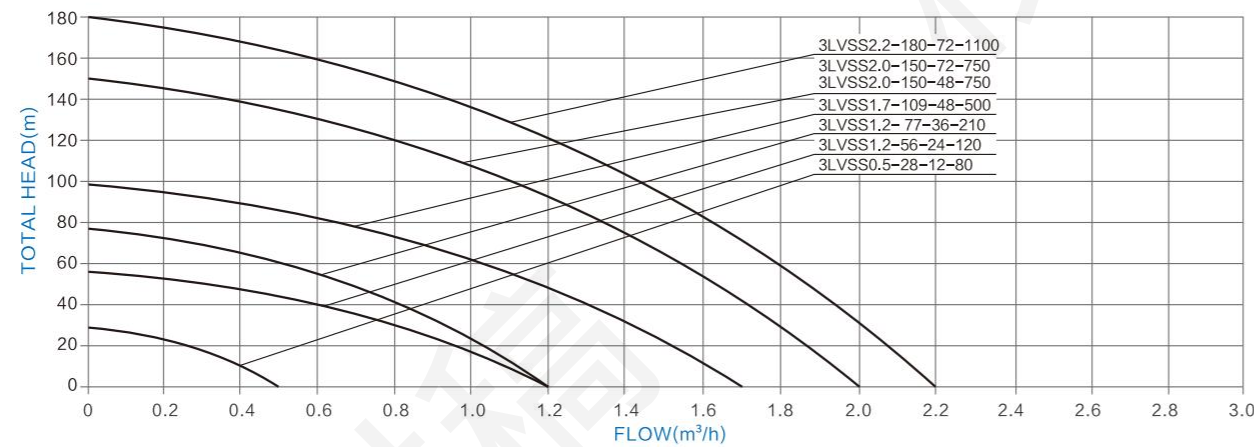


DC controller

TECHNICAL DATA

ITEM	Voltage	Optimum input voltage (DC)	Power	Max. Flow	Max. Head	Outlet	Cable	Solar panel	
								Open circuit voltage (VOC)	Power
3LVSS0.5-28-12-80	12V	30V-48V	80W	0.5m³/h	28m	0.75"	2m	<55V	≥ 1.3*PUMP POWER
3LVSS1.2-56-24-120	24V	30V-48V	120W	1.2m³/h	56m	0.75"	2m	<55V	≥ 1.3*PUMP POWER
3LVSS1.2-77-36-210	36V	30V-48V	210W	1.2m³/h	77m	0.75"	2m	<55V	≥ 1.3*PUMP POWER
3LVSS1.7-109-48-500	48V	60V-90V	500W	1.7m³/h	109m	0.75"	2m	<105V	≥ 1.3*PUMP POWER
3LVSS2.0-150-48-750	48V	60V-90V	750W	2.0m³/h	150m	0.75"	2m	<105V	≥ 1.3*PUMP POWER
3LVSS2.0-150-72-750	72V	90V-120V	750W	2.0m³/h	150m	0.75"	2m	<160V	≥ 1.3*PUMP POWER
3LVSS2.2-180-72-1100	72V	90V-120V	1100W	2.2m³/h	180m	0.75"	2m	<160V	≥ 1.3*PUMP POWER

HYDRAULIC PERFORMANCE CURVES



FREE SPARE PARTS



3LVPC

3"DC BRUSHLESS SOLAR PUMP WITH PLASTIC IMPELLER



Stainless steel outlet



Stainless steel connecting fitting



Stainless steel oil cylinder



Copper outlet



Copper connecting fitting



Copper oil cylinder

Two designs for selection



Plastic Impeller



NSK Bearing

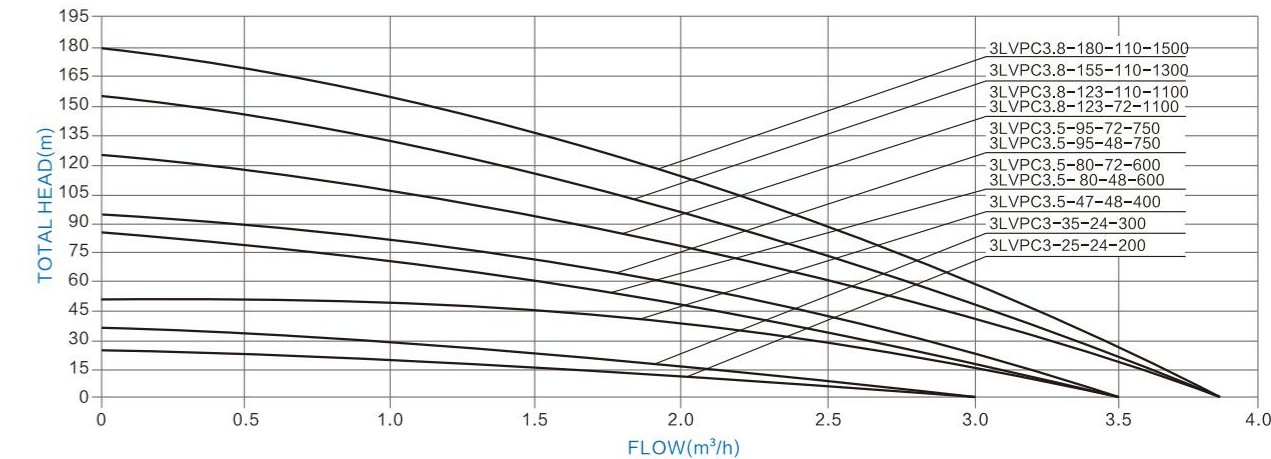


DC controller

TECHNICAL DATA

ITEM	Voltage	Optimum input voltage (DC)	Power	Max. Flow	Max. Head	Outlet	Cable	Solar panel	
								Open circuit voltage (VOC)	Power
3LVPC3-25-24-200	24V	30V-48V	200W	3.0m³/h	25m	1.25"	2m	<55V	≥ 1.3*PUMP POWER
3LVPC3-35-24-300	24V	30V-48V	300W	3.0m³/h	35m	1.25"	2m	<55V	≥ 1.3*PUMP POWER
3LVPC3.5-47-48-400	48V	60V-90V	400W	3.5m³/h	47m	1.25"	2m	<105V	≥ 1.3*PUMP POWER
3LVPC3.5-80-48-600	48V	60V-90V	600W	3.5m³/h	80m	1.25"	2m	<105V	≥ 1.3*PUMP POWER
3LVPC3.5-80-72-600	72V	90V-120V	600W	3.5m³/h	80m	1.25"	2m	<160V	≥ 1.3*PUMP POWER
3LVPC3.5-95-48-750	48V	60V-90V	750W	3.5m³/h	95m	1.25"	2m	<105V	≥ 1.3*PUMP POWER
3LVPC3.5-95-72-750	72V	90V-120V	750W	3.5m³/h	95m	1.25"	2m	<160V	≥ 1.3*PUMP POWER
3LVPC3.8-123-72-1100	72V	90V-120V	1100W	3.8m³/h	123m	1.25"	2m	<160V	≥ 1.3*PUMP POWER
3LVPC3.8-123-110-1100	110V	110V-150V	1100W	3.8m³/h	123m	1.25"	2m	<210V	≥ 1.3*PUMP POWER
3LVPC3.8-155-110-1300	110V	110V-150V	1300W	3.8m³/h	155m	1.25"	2m	<210V	≥ 1.3*PUMP POWER
3LVPC3.8-180-110-1500	110V	110V-150V	1500W	3.8m³/h	180m	1.25"	2m	<210V	≥ 1.3*PUMP POWER

HYDRAULIC PERFORMANCE CURVES



FREE SPARE PARTS



3LVPC

3"DC BRUSHLESS SOLAR PUMP WITH PLASTIC IMPELLER



Two designs for selection

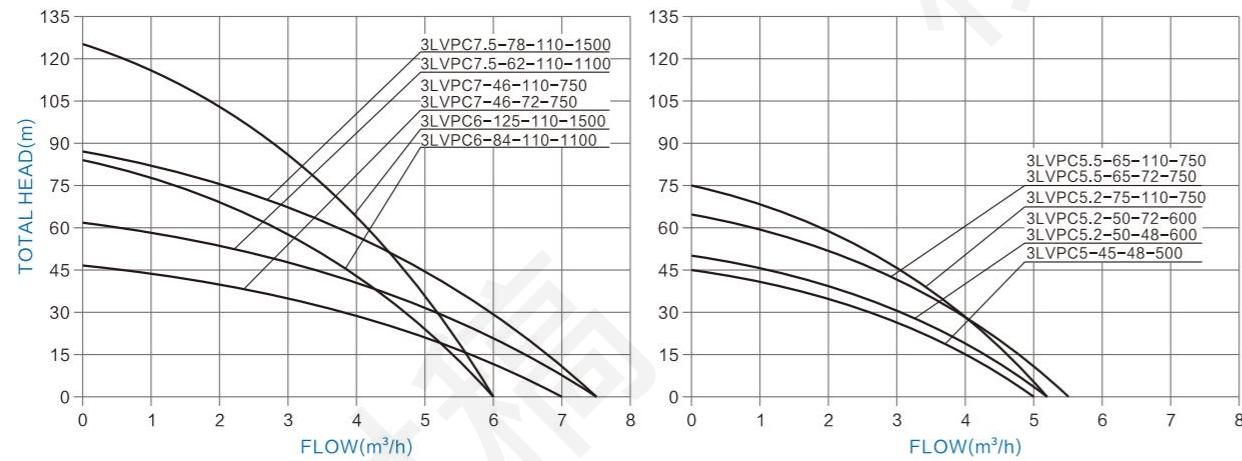


DC controller

TECHNICAL DATA

ITEM	Voltage	Optimum input voltage (DC)	Power	Max. Flow	Max. Head	Outlet	Cable	Solar panel	
								Open circuit voltage(VOC)	Power
3LVPC5-45-48-500	48V	60V-90V	500W	5m³/h	45m	1.5"	2m	<105V	≥1.3*PUMP POWER
3LVPC5.2-50-48-600	48V	60V-90V	600W	5.2m³/h	50m	1.5"	2m	<105V	≥1.3*PUMP POWER
3LVPC5.2-50-72-600	72V	90V-120V	600W	5.2m³/h	50m	1.5"	2m	<160V	≥1.3*PUMP POWER
3LVPC5.2-75-110-750	110V	110V-150V	750W	5.2m³/h	75m	1.5"	2m	<210V	≥1.3*PUMP POWER
3LVPC5.5-65-72-750	72V	90V-120V	750W	5.5m³/h	65m	1.5"	2m	<160V	≥1.3*PUMP POWER
3LVPC5.5-65-110-750	110V	110V-150V	750W	5.5m³/h	65m	1.5"	2m	<210V	≥1.3*PUMP POWER
3LVPC6-84-110-1100	110V	110V-150V	1100W	6m³/h	84m	1.5"	2m	<210V	≥1.3*PUMP POWER
3LVPC6-125-110-1500	110V	110V-150V	1500W	6m³/h	125m	1.5"	2m	<210V	≥1.3*PUMP POWER
3LVPC7-46-72-750	72V	90V-120V	750W	7m³/h	46m	1.5"	2m	<160V	≥1.3*PUMP POWER
3LVPC7-46-110-750	110V	110V-150V	750W	7m³/h	46m	1.5"	2m	<210V	≥1.3*PUMP POWER
3LVPC7.5-62-110-1100	110V	110V-150V	1100W	7.5m³/h	62m	1.5"	2m	<210V	≥1.3*PUMP POWER
3LVPC7.5-78-110-1500	110V	110V-150V	1500W	7.5m³/h	78m	1.5"	2m	<210V	≥1.3*PUMP POWER

HYDRAULIC PERFORMANCE CURVES

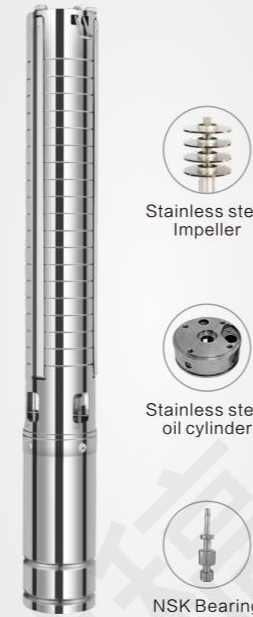


FREE SPARE PARTS



3LVSC

3"DC BRUSHLESS SOLAR PUMP WITH S/S IMPELLER

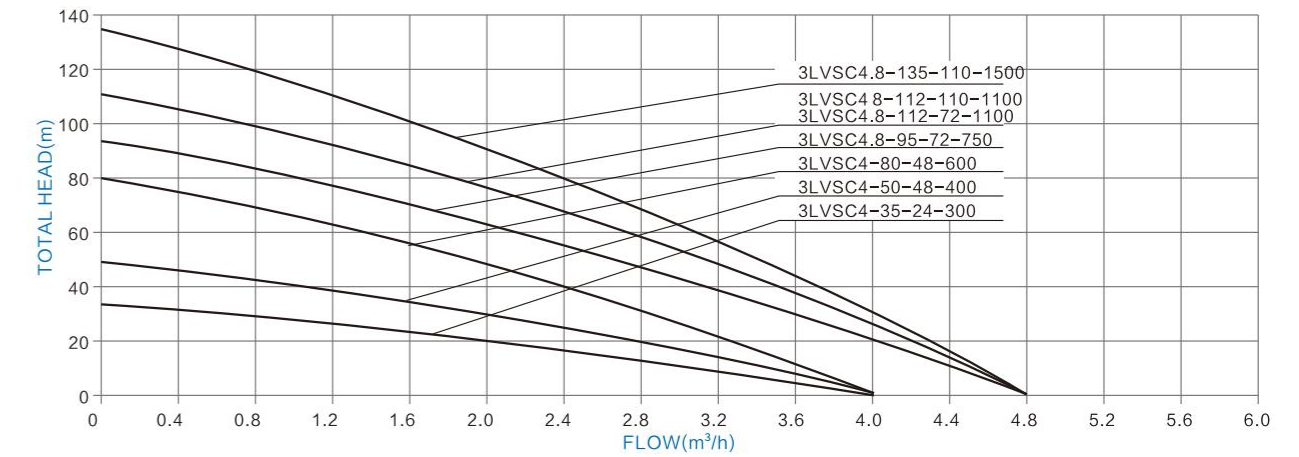


DC controller

TECHNICAL DATA

ITEM	Voltage	Optimum input voltage (DC)	Power	Max. Flow	Max. Head	Outlet	Cable	Solar panel	
								Open circuit voltage(VOC)	Power
3LVSC4-35-24-300	24V	30V-48V	300W	4m³/h	35m	1.25"	2m	<55V	≥1.3*PUMP POWER
3LVSC4-50-48-400	48V	60V-90V	400W	4m³/h	50m	1.25"	2m	<105V	≥1.3*PUMP POWER
3LVSC4-80-48-600	48V	60V-90V	600W	4m³/h	80m	1.25"	2m	<105V	≥1.3*PUMP POWER
3LVSC4.8-95-72-750	72V	90V-120V	750W	4.8m³/h	95m	1.25"	2m	<160V	≥1.3*PUMP POWER
3LVSC4.8-112-72-1100	72V	90V-120V	1100W	4.8m³/h	112m	1.25"	2m	<160V	≥1.3*PUMP POWER
3LVSC4.8-112-110-1100	110V	110V-150V	1100W	4.8m³/h	112m	1.25"	2m	<210V	≥1.3*PUMP POWER
3LVSC4.8-135-110-1500	110V	110V-150V	1500W	4.8m³/h	135m	1.25"	2m	<210V	≥1.3*PUMP POWER

HYDRAULIC PERFORMANCE CURVES



FREE SPARE PARTS



4LVPC

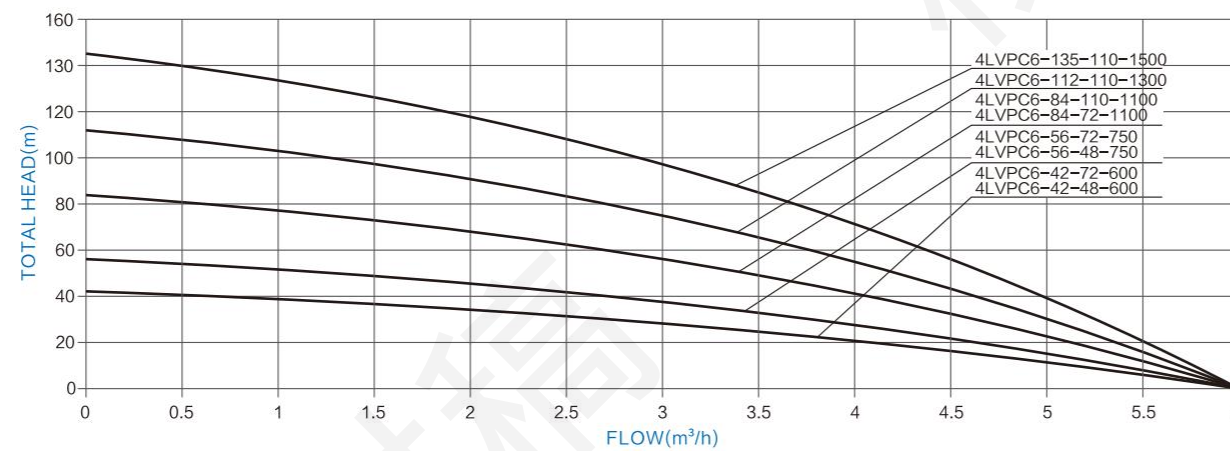
4" DC BRUSHLESS SOLAR PUMP WITH PLASTIC IMPELLER



TECHNICAL DATA

ITEM	Voltage	Optimum input voltage (DC)	Power	Max. Flow	Max. Head	Outlet	Cable	Solar panel	
								Open circuit voltage(VOC)	Power
4LVPC6-42-48-600	48V	60V-90V	600W	6.0m³/h	42m	1.25"	2m	<105V	≥1.3*PUMP POWER
4LVPC6-42-72-600	72V	90V-120V	600W	6.0m³/h	42m	1.25"	2m	<160V	≥1.3*PUMP POWER
4LVPC6-56-48-750	48V	60V-90V	750W	6.0m³/h	56m	1.25"	2m	<105V	≥1.3*PUMP POWER
4LVPC6-56-72-750	72V	90V-120V	750W	6.0m³/h	56m	1.25"	2m	<160V	≥1.3*PUMP POWER
4LVPC6-84-72-1100	72V	90V-120V	1100W	6.0m³/h	84m	1.25"	2m	<160V	≥1.3*PUMP POWER
4LVPC6-84-110-1100	110V	110V-150V	1100W	6.0m³/h	84m	1.25"	2m	<210V	≥1.3*PUMP POWER
4LVPC6-112-110-1300	110V	110V-150V	1300W	6.0m³/h	112m	1.25"	2m	<210V	≥1.3*PUMP POWER
4LVPC6-135-110-1500	110V	110V-150V	1500W	6.0m³/h	135m	1.25"	2m	<210V	≥1.3*PUMP POWER

HYDRAULIC PERFORMANCE CURVES



FREE SPARE PARTS



4LVPC

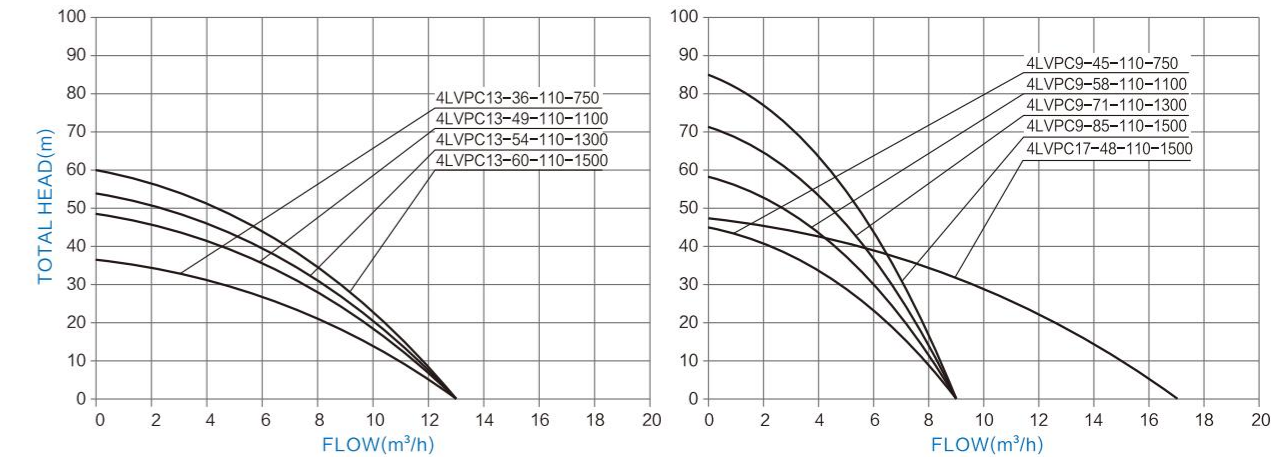
4" DC BRUSHLESS SOLAR PUMP WITH PLASTIC IMPELLER



TECHNICAL DATA

ITEM	Voltage	Optimum input voltage (DC)	Power	Max. Flow	Max. Head	Outlet	Cable	Solar panel	
								Open circuit voltage(VOC)	Power
4LVPC9-45-110-750	110V	110V-150V	750W	9.0m³/h	45m	2"	2m	<210V	≥1.3*PUMP POWER
4LVPC9-58-110-1100	110V	110V-150V	1100W	9.0m³/h	58m	2"	2m	<210V	≥1.3*PUMP POWER
4LVPC9-71-110-1300	110V	110V-150V	1300W	9.0m³/h	71m	2"	2m	<210V	≥1.3*PUMP POWER
4LVPC9-85-110-1500	110V	110V-150V	1500W	9.0m³/h	85m	2"	2m	<210V	≥1.3*PUMP POWER
4LVPC13-36-110-750	110V	110V-150V	750W	13.0m³/h	36m	2"	2m	<210V	≥1.3*PUMP POWER
4LVPC13-49-110-1100	110V	110V-150V	1100W	13.0m³/h	49m	2"	2m	<210V	≥1.3*PUMP POWER
4LVPC13-54-110-1300	110V	110V-150V	1300W	13.0m³/h	54m	2"	2m	<210V	≥1.3*PUMP POWER
4LVPC13-60-110-1500	110V	110V-150V	1500W	13.0m³/h	60m	2"	2m	<210V	≥1.3*PUMP POWER
4LVPC17-48-110-1500	110V	110V-150V	1500W	17.0m³/h	48m	2"	2m	<210V	≥1.3*PUMP POWER

HYDRAULIC PERFORMANCE CURVES

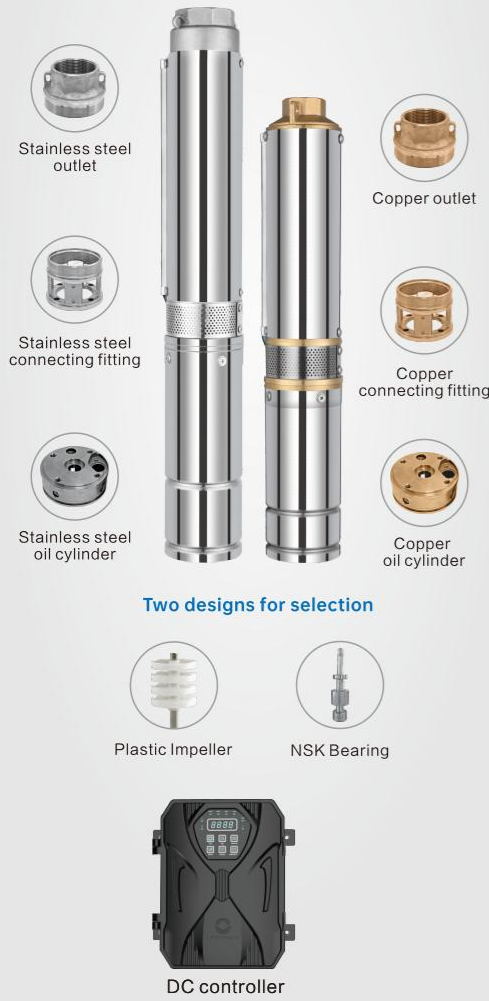


FREE SPARE PARTS



4LVLR

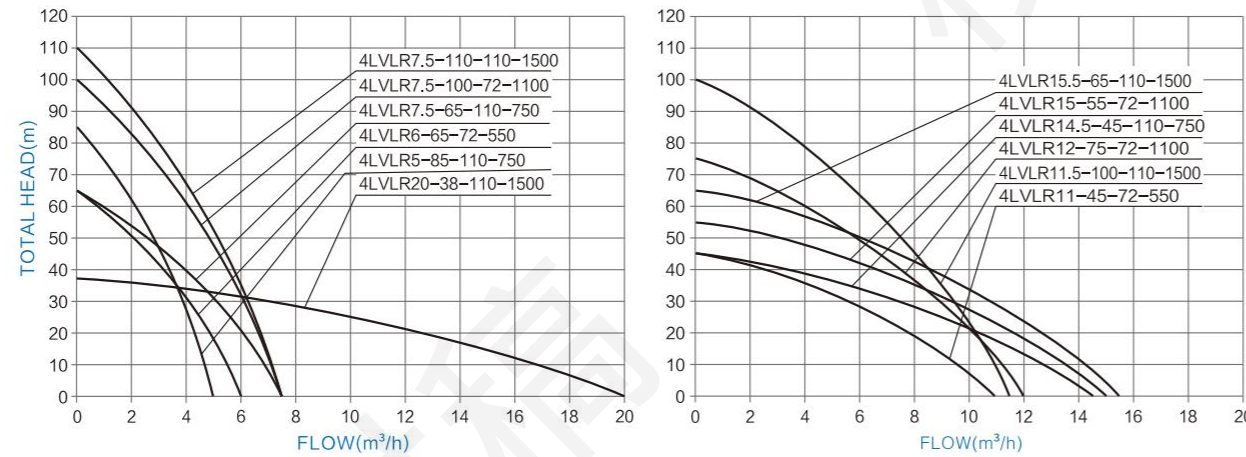
4"DC BRUSHLESS SOLAR PUMP WITH PLASTIC IMPELLER



TECHNICAL DATA

ITEM	Voltage	Optimum input voltage (DC)	Power	Max. Flow	Max. Head	Outlet	Cable	Solar panel	
								Open circuit voltage(VOC)	Power
4LVLR5-85-110-750	110V	110V-150V	750W	5m³/h	85m	1.25"	2m	<210V	≥1.3*PUMP POWER
4LVLR6-65-72-550	72V	90V-120V	550W	6m³/h	65m	1.25"	2m	<160V	≥1.3*PUMP POWER
4LVLR7.5-65-110-750	110V	110V-150V	750W	7.5m³/h	65m	2"	2m	<210V	≥1.3*PUMP POWER
4LVLR7.5-100-72-1100	72V	90V-120V	1100W	7.5m³/h	100m	2"	2m	<160V	≥1.3*PUMP POWER
4LVLR7.5-110-110-1500	110V	110V-150V	1500W	7.5m³/h	110m	2"	2m	<210V	≥1.3*PUMP POWER
4LVLR11-45-72-550	72V	90V-120V	550W	11m³/h	45m	2"	2m	<160V	≥1.3*PUMP POWER
4LVLR12-75-72-1100	72V	90V-120V	1100W	12m³/h	75m	2"	2m	<160V	≥1.3*PUMP POWER
4LVLR11.5-100-110-1500	110V	110V-150V	1500W	11.5m³/h	100m	2"	2m	<210V	≥1.3*PUMP POWER
4LVLR14.5-45-110-750	110V	110V-150V	750W	14.5m³/h	45m	2"	2m	<210V	≥1.3*PUMP POWER
4LVLR15-55-72-1100	72V	90V-120V	1100W	15m³/h	55m	2"	2m	<160V	≥1.3*PUMP POWER
4LVLR15.5-65-110-1500	110V	110V-150V	1500W	15.5m³/h	65m	2"	2m	<210V	≥1.3*PUMP POWER
4LVLR20-38-110-1500	110V	110V-150V	1500W	20m³/h	38m	2"	2m	<210V	≥1.3*PUMP POWER

HYDRAULIC PERFORMANCE CURVES



FREE SPARE PARTS



4LVSC

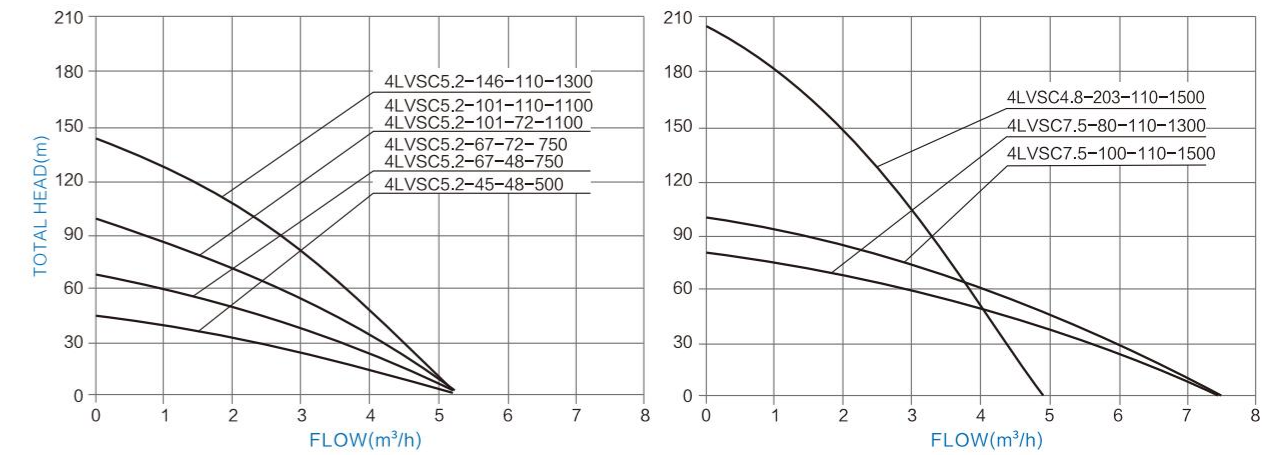
4"DC BRUSHLESS SOLAR PUMP WITH S/S IMPELLER



TECHNICAL DATA

ITEM	Voltage	Optimum input voltage (DC)	Power	Max. Flow	Max. Head	Outlet	Cable	Solar panel	
								Open circuit voltage(VOC)	Power
4LVSC5.2-45-48-500	48V	60V-90V	500W	5.2m³/h	45m	1.25"	2m	<105V	≥1.3*PUMP POWER
4LVSC5.2-67-48-750	48V	60V-90V	750W	5.2m³/h	67m	1.25"	2m	<105V	≥1.3*PUMP POWER
4LVSC5.2-67-72-750	72V	90V-120V	750W	5.2m³/h	67m	1.25"	2m	<160V	≥1.3*PUMP POWER
4LVSC5.2-101-72-1100	72V	90V-120V	1100W	5.2m³/h	101m	1.25"	2m	<160V	≥1.3*PUMP POWER
4LVSC5.2-101-110-1100	110V	110V-150V	1100W	5.2m³/h	101m	1.25"	2m	<210V	≥1.3*PUMP POWER
4LVSC5.2-146-110-1300	110V	110V-150V	1300W	5.2m³/h	146m	1.25"	2m	<210V	≥1.3*PUMP POWER
4LVSC4.8-203-110-1500	110V	110V-150V	1500W	4.8m³/h	203m	1.25"	2m	<210V	≥1.3*PUMP POWER
4LVSC7.5-80-110-1300	110V	110V-150V	1300W	7.5m³/h	80m	1.25"	2m	<210V	≥1.3*PUMP POWER
4LVSC7.5-100-110-1500	110V	110V-150V	1500W	7.5m³/h	100m	1.25"	2m	<210V	≥1.3*PUMP POWER

HYDRAULIC PERFORMANCE CURVES



FREE SPARE PARTS



4LVSC/4/6LVSC

4" /6" DC BRUSHLESS SOLAR PUMP WITH S/S IMPELLER



Stainless steel Impeller



Stainless steel oil cylinder



NSK Bearing

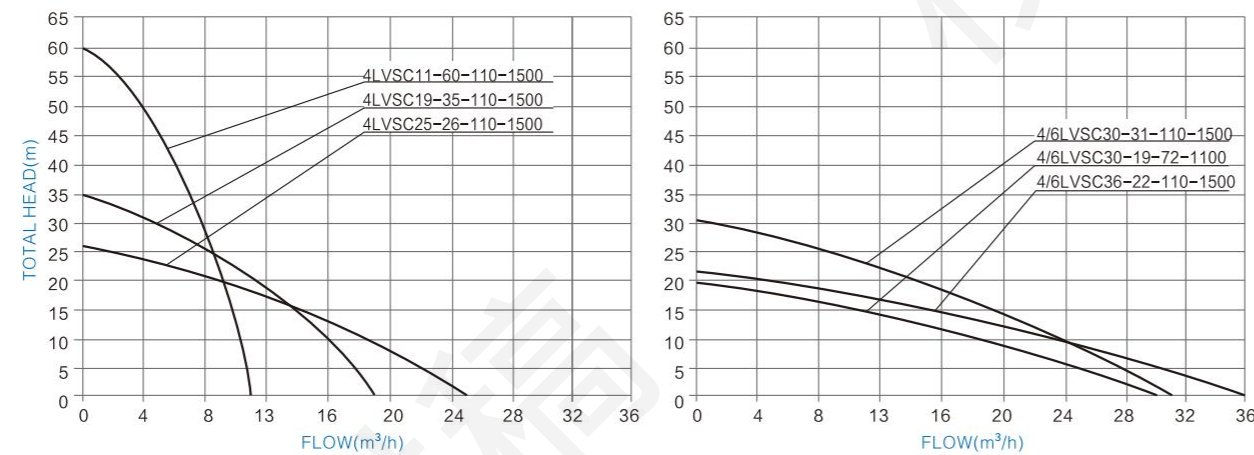


DC controller

TECHNICAL DATA

ITEM	Voltage	Optimum input voltage (DC)	Power	Max. Flow	Max. Head	Outlet	Cable	Solar panel	
								Open circuit voltage (VOC)	Power
4LVSC11-60-110-1500	110V	110V-150V	1500W	11m³/h	60m	2"	2m	<210V	≥1.3*PUMP POWER
4LVSC19-35-110-1500	110V	110V-150V	1500W	19m³/h	35m	2"	2m	<210V	≥1.3*PUMP POWER
4LVSC25-26-110-1500	110V	110V-150V	1500W	25m³/h	26m	2"	2m	<210V	≥1.3*PUMP POWER
4/6LVSC30-19-72-1100	72V	90V-120V	1100W	30m³/h	19m	3"	2m	<160V	≥1.3*PUMP POWER
4/6LVSC36-22-110-1500	110V	110V-150V	1500W	36m³/h	22m	3"	2m	<210V	≥1.3*PUMP POWER
4/6LVSC30-31-110-1500	110V	110V-150V	1500W	30m³/h	31m	3"	2m	<210V	≥1.3*PUMP POWER

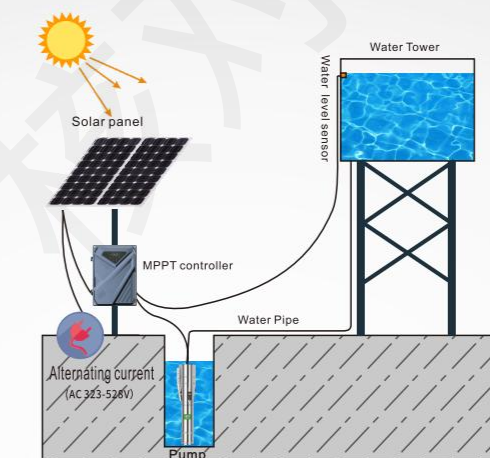
HYDRAULIC PERFORMANCE CURVES



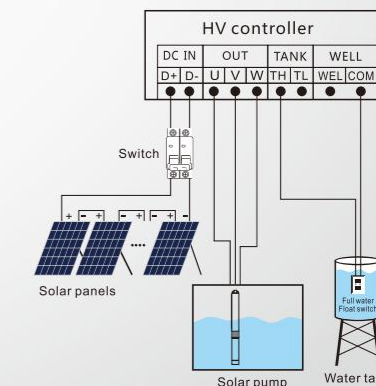
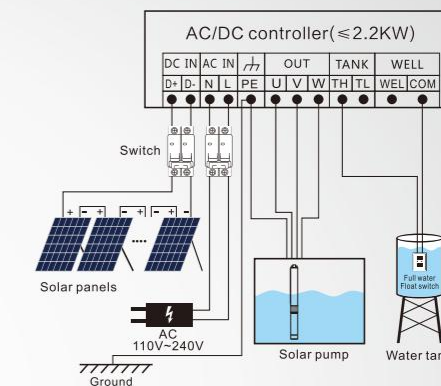
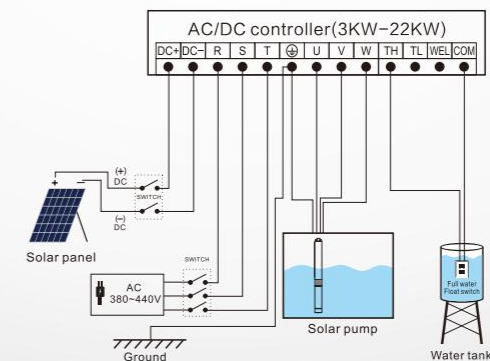
FREE SPARE PARTS



AC/DC HYBRID & WIDE VOLTAGE SUBMERSIBLE PUMP



AC/DC EXTERNAL CONTROLLER TYPE



3LVPC-A/D 3LVPC-HV

3" AC/DC & WIDE VOLTAGE BRUSHLESS SOLAR PUMP WITH PLASTIC IMPELLER



Two designs for selection



Plastic Impeller NSK Bearing



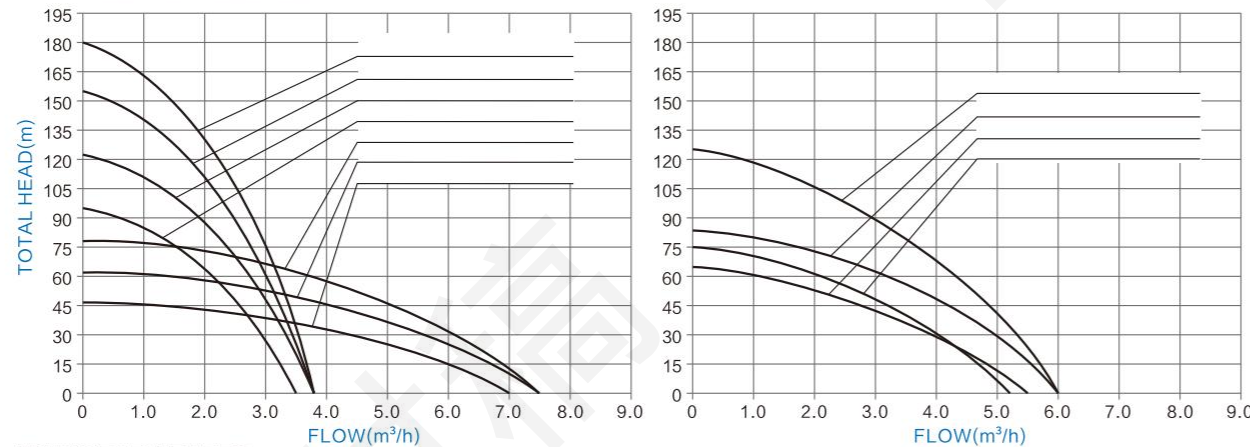
AC/DC auto-switching controller (≤2.2KW)

Wide Voltage HV Controller

TECHNICAL DATA

ITEM	(AC) Voltage	(DC) Voltage	Power	Max. Flow	Max. Head	Outlet	Cable	Solar panel	
								Open circuit voltage(VOC)	Power
3LVPC3.5-95-110-750-A/D	85V-280V	80V-430V	750W	3.5m³/h	95m	1.25"	2m	<430V	≥1.3*PUMP POWER
3LVPC3.5-95-110-750-HV	/								
3LVPC3.8-123-150-1100-A/D	85V-280V	80V-430V	1100W	3.8m³/h	123m	1.25"	2m	<430V	≥1.3*PUMP POWER
3LVPC3.8-123-150-1100-HV	/								
3LVPC3.8-155-150-1300-A/D	85V-280V	80V-430V	1300W	3.8m³/h	155m	1.25"	2m	<430V	≥1.3*PUMP POWER
3LVPC3.8-155-150-1300-HV	/								
3LVPC3.8-180-200-1500-A/D	85V-280V	80V-430V	1500W	3.8m³/h	180m	1.25"	2m	<430V	≥1.3*PUMP POWER
3LVPC3.8-180-200-1500-HV	/								
3LVPC5.2-75-110-750-A/D	85V-280V	80V-430V	750W	5.2m³/h	75m	1.5"	2m	<430V	≥1.3*PUMP POWER
3LVPC5.2-75-110-750-HV	/								
3LVPC5.5-65-110-750-A/D	85V-280V	80V-430V	750W	5.5m³/h	65m	1.5"	2m	<430V	≥1.3*PUMP POWER
3LVPC5.5-65-110-750-HV	/								
3LVPC6-84-150-1100-A/D	85V-280V	80V-430V	1100W	6m³/h	84m	1.5"	2m	<430V	≥1.3*PUMP POWER
3LVPC6-84-150-1100-HV	/								
3LVPC6-125-200-1500-A/D	85V-280V	80V-430V	1500W	6m³/h	125m	1.5"	2m	<430V	≥1.3*PUMP POWER
3LVPC6-125-200-1500-HV	/								
3LVPC7-46-110-750-A/D	85V-280V	80V-430V	750W	7m³/h	46m	1.5"	2m	<430V	≥1.3*PUMP POWER
3LVPC7-46-110-750-HV	/								
3LVPC7.5-62-150-1100-A/D	85V-280V	80V-430V	1100W	7.5m³/h	62m	1.5"	2m	<430V	≥1.3*PUMP POWER
3LVPC7.5-62-150-1100-HV	/								
3LVPC7.5-78-200-1500-A/D	85V-280V	80V-430V	1500W	7.5m³/h	78m	1.5"	2m	<430V	≥1.3*PUMP POWER
3LVPC7.5-78-200-1500-HV	/								

PERFORMANCE CURVES



FREE SPARE PARTS



3LVSC-A/D 3LVSC-HV

3" AC/DC & WIDE VOLTAGE BRUSHLESS SOLAR PUMP WITH S/S IMPELLER



Stainless steel Impeller

Stainless steel oil cylinder

NSK Bearing



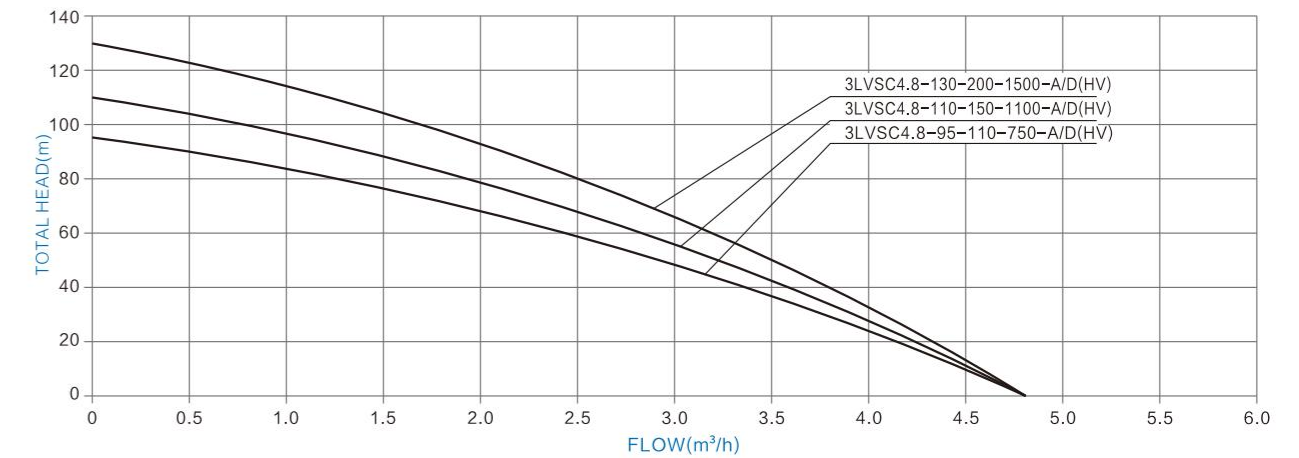
AC/DC auto-switching controller (≤2.2KW)

Wide Voltage HV Controller

TECHNICAL DATA

ITEM	(AC) Voltage	(DC) Voltage	Power	Max. Flow	Max. Head	Outlet	Cable	Solar panel	
								Open circuit voltage(VOC)	Power
3LVSC4.8-95-110-750-A/D	85V-280V	80V-430V	750W	4.8m³/h	95m	1.25"	2m	<430V	≥1.3*PUMP POWER
3LVSC4.8-95-110-750-HV	/								
3LVSC4.8-110-150-1100-A/D	85V-280V	80V-430V	1100W	4.8m³/h	110m	1.25"	2m	<430V	≥1.3*PUMP POWER
3LVSC4.8-110-150-1100-HV	/								
3LVSC4.8-130-200-1500-A/D	85V-280V	80V-430V	1500W	4.8m³/h	130m	1.25"	2m	<430V	≥1.3*PUMP POWER
3LVSC4.8-130-200-1500-HV	/								

HYDRAULIC PERFORMANCE CURVES



FREE SPARE PARTS

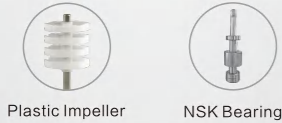


4LVPC-A/D 4LVPC-HV

4" AC/DC & WIDE VOLTAGE BRUSHLESS SOLAR PUMP WITH PLASTIC IMPELLER



Two designs for selection



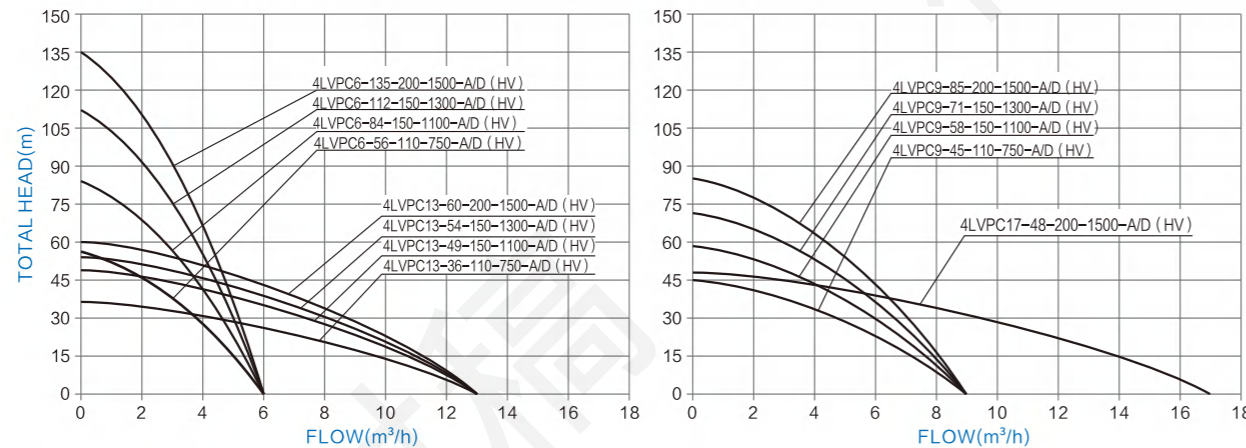
AC/DC auto-switching controller (≤2.2KW)

Wide Voltage HV Controller

TECHNICAL DATA

ITEM	(AC) Voltage	(DC) Voltage	Power	Max. Flow	Max. Head	Outlet	Cable	Solar panel	
								Open circuit voltage(VOC)	Power
4LVPC6-56-110-750-A/D 4LVPC6-56-110-750-HV	85V-280V	80V-430V	750W	6m³/h	56m	1.25"	2m	<430V	≥1.3*PUMP POWER
4LVPC6-84-150-1100-A/D 4LVPC6-84-150-1100-HV	85V-280V	80V-430V	1100W	6m³/h	84m	1.25"	2m	<430V	≥1.3*PUMP POWER
4LVPC6-112-150-1300-A/D 4LVPC6-112-150-1300-HV	85V-280V	80V-430V	1300W	6m³/h	112m	1.25"	2m	<430V	≥1.3*PUMP POWER
4LVPC6-135-200-1500-A/D 4LVPC6-135-200-1500-HV	85V-280V	80V-430V	1500W	6m³/h	135m	1.25"	2m	<430V	≥1.3*PUMP POWER
4LVPC9-45-110-750-A/D 4LVPC9-45-110-750-HV	85V-280V	80V-430V	750W	9m³/h	45m	2"	2m	<430V	≥1.3*PUMP POWER
4LVPC9-58-150-1100-A/D 4LVPC9-58-150-1100-HV	85V-280V	80V-430V	1100W	9m³/h	58m	2"	2m	<430V	≥1.3*PUMP POWER
4LVPC9-71-150-1300-A/D 4LVPC9-71-150-1300-HV	85V-280V	80V-430V	1300W	9m³/h	71m	2"	2m	<430V	≥1.3*PUMP POWER
4LVPC9-85-200-1500-A/D 4LVPC9-85-200-1500-HV	85V-280V	80V-430V	1500W	9m³/h	85m	2"	2m	<430V	≥1.3*PUMP POWER
4LVPC13-36-110-750-A/D 4LVPC13-36-110-750-HV	85V-280V	80V-430V	750W	13m³/h	36m	2"	2m	<430V	≥1.3*PUMP POWER
4LVPC13-49-150-1100-A/D 4LVPC13-49-150-1100-HV	85V-280V	80V-430V	1100W	13m³/h	49m	2"	2m	<430V	≥1.3*PUMP POWER
4LVPC13-54-150-1300-A/D 4LVPC13-54-150-1300-HV	85V-280V	80V-420V	1300W	13m³/h	54m	2"	2m	<430V	≥1.3*PUMP POWER
4LVPC13-60-200-1500-A/D 4LVPC13-60-200-1500-HV	85V-280V	80V-430V	1500W	13m³/h	60m	2"	2m	<430V	≥1.3*PUMP POWER
4LVPC17-48-200-1500-A/D 4LVPC17-48-200-1500-HV	85V-280V	80V-430V	1500W	17m³/h	48m	2"	2m	<430V	≥1.3*PUMP POWER

PERFORMANCE CURVES



FREE SPARE PARTS

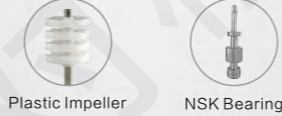


4LVLR-A/D 4LVLR-HV

4" AC/DC & WIDE VOLTAGE BRUSHLESS SOLAR PUMP WITH PLASTIC IMPELLER



Two designs for selection



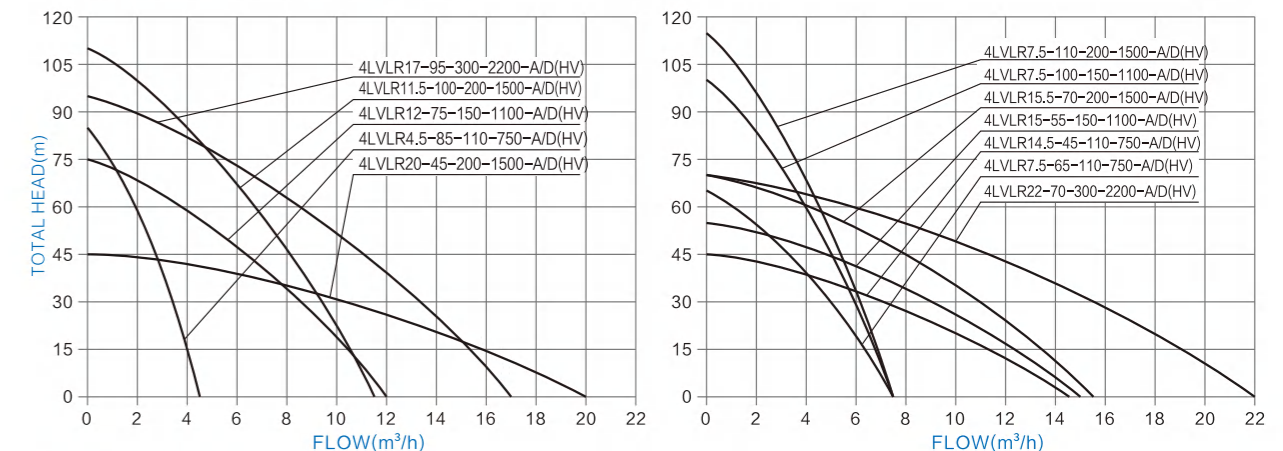
AC/DC auto-switching controller (≤2.2KW)

Wide Voltage HV Controller

TECHNICAL DATA

ITEM	(AC) Voltage	(DC) Voltage	Power	Max. Flow	Max. Head	Outlet	Cable	Solar panel	
								Open circuit voltage(VOC)	Power
4LVLR4.5-85-110-750-A/D 4LVLR4.5-85-110-750-HV	85V-280V	80V-430V	750W	4.5m³/h	85m	1.25"	2m	<430V	≥1.3*PUMP POWER
4LVLR7.5-65-110-750-A/D 4LVLR7.5-65-110-750-HV	85V-280V	80V-430V	750W	7.5m³/h	65m	2"	2m	<430V	≥1.3*PUMP POWER
4LVLR7.5-100-150-1100-A/D 4LVLR7.5-100-150-1100-HV	85V-280V	80V-430V	1100W	7.5m³/h	100m	2"	2m	<430V	≥1.3*PUMP POWER
4LVLR7.5-110-200-1500-A/D 4LVLR7.5-110-200-1500-HV	85V-280V	80V-430V	1500W	7.5m³/h	110m	2"	2m	<430V	≥1.3*PUMP POWER
4LVLR12-75-150-1100-A/D 4LVLR12-75-150-1100-HV	85V-280V	80V-430V	1100W	12m³/h	75m	2"	2m	<430V	≥1.3*PUMP POWER
4LVLR11.5-100-200-1500-A/D 4LVLR11.5-100-200-1500-HV	85V-280V	80V-430V	1500W	11.5m³/h	100m	2"	2m	<430V	≥1.3*PUMP POWER
4LVLR14.5-45-110-750-A/D 4LVLR14.5-45-110-750-HV	85V-280V	80V-430V	750W	14.5m³/h	45m	2"	2m	<430V	≥1.3*PUMP POWER
4LVLR15-55-150-1100-A/D 4LVLR15-55-150-1100-HV	85V-280V	80V-430V	1100W	15m³/h	55m	2"	2m	<430V	≥1.3*PUMP POWER
4LVLR15.5-70-200-1500-A/D 4LVLR15.5-70-200-1500-HV	85V-280V	80V-430V	1500W	15.5m³/h	70m	2"	2m	<430V	≥1.3*PUMP POWER
4LVLR17-95-300-2200-A/D 4LVLR17-95-300-2200-HV	85V-280V	80V-430V	2200W	17m³/h	95m	2"	2m	<430V	≥1.3*PUMP POWER
4LVLR20-45-200-1500-A/D 4LVLR20-45-200-1500-HV	85V-280V	80V-430V	1500W	20m³/h	45m	2"	2m	<430V	≥1.3*PUMP POWER
4LVLR22-70-300-2200-A/D 4LVLR22-70-300-2200-HV	85V-280V	80V-430V	2200W	22m³/h	70m	2"	2m	<430V	≥1.3*PUMP POWER

HYDRAULIC PERFORMANCE CURVES

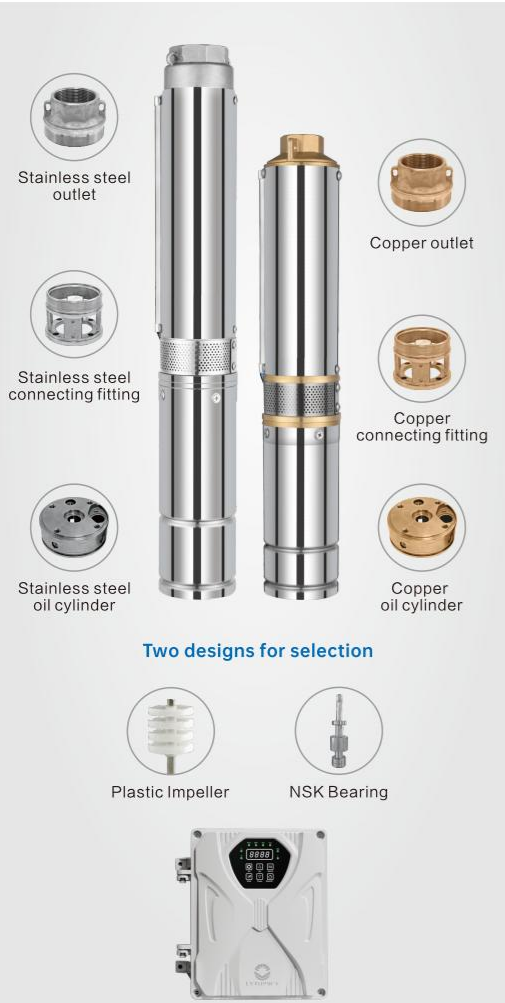


FREE SPARE PARTS



4LVPC-A/D 4LVPC-HV

4" AC/DC & WIDE VOLTAGE BRUSHLESS SOLAR PUMP WITH PLASTIC IMPELLER

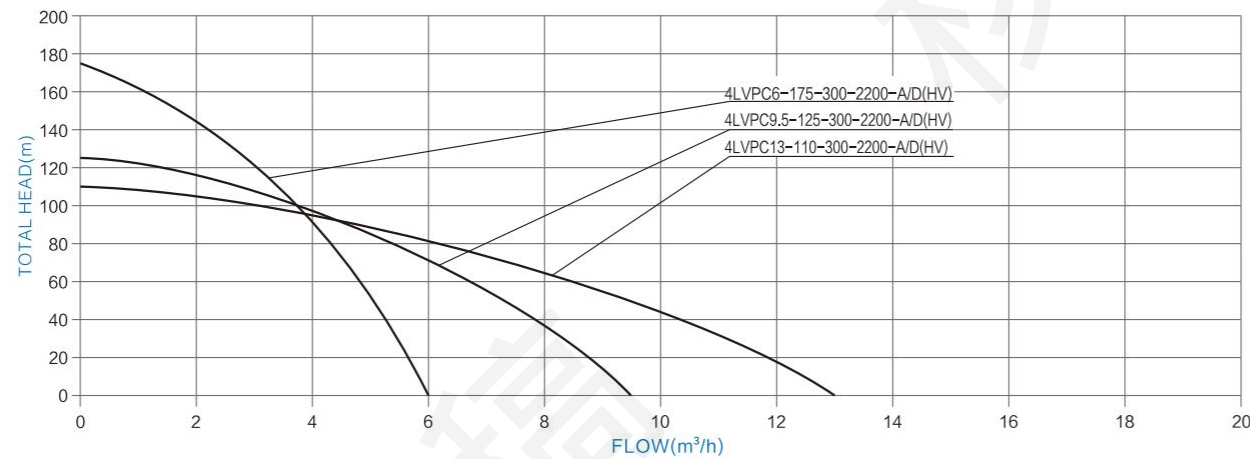


AC/DC auto-switching controller (≤2.2KW) Wide Voltage HV Controller

TECHNICAL DATA

ITEM	(AC) Voltage	(DC) Voltage	Power	Max. Flow	Max. Head	Outlet	Cable	Solar panel	
								Open circuit voltage(VOC)	Power
4LVPC6-175-300-2200-A/D 4LVPC6-175-300-2200-HV	85V-280V /	80V-430V	2200W	6m³/h	175m	1.25"	2m	<430V	≥1.3*PUMP POWER
4LVPC9.5-125-300-2200-A/D 4LVPC9.5-125-300-2200-HV	85V-280V /	80V-430V	2200W	9.5m³/h	125m	2"	2m	<430V	≥1.3*PUMP POWER
4LVPC13-110-300-2200-A/D 4LVPC13-110-300-2200-HV	85V-280V /	80V-430V	2200W	13m³/h	110m	2"	2m	<430V	≥1.3*PUMP POWER

HYDRAULIC PERFORMANCE CURVES



FREE SPARE PARTS



4DSC-HV

4" AC/DC & WIDE VOLTAGE BRUSHLESS SOLAR PUMP WITH S/S IMPELLER

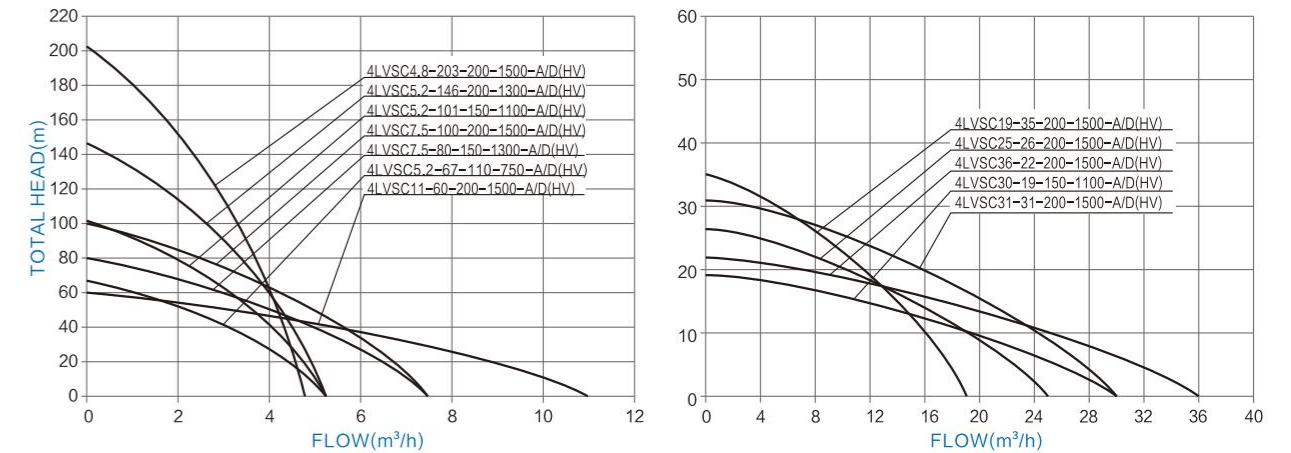


AC/DC auto-switching controller (≤2.2KW) Wide Voltage HV Controller

TECHNICAL DATA

ITEM	(AC) Voltage	(DC) Voltage	Power	Max. Flow	Max. Head	Outlet	Cable	Solar panel	
								Open circuit voltage(VOC)	Power
4LVSC5.2-67-110-750-A/D 4LVSC5.2-67-110-750-HV	85V-280V /	80V-430V	750W	5.2m³/h	67m	1.25"	2m	<430V	≥1.3*PUMP POWER
4LVSC4.8-203-200-1500-A/D 4LVSC4.8-203-200-1500-HV	85V-280V /	80V-430V	1500W	4.8m³/h	203m	1.25"	2m	<430V	≥1.3*PUMP POWER
4LVSC5.2-101-150-1100-A/D 4LVSC5.2-101-150-1100-HV	85V-280V /	80V-430V	1100W	5.2m³/h	101m	1.25"	2m	<430V	≥1.3*PUMP POWER
4LVSC5.2-146-200-1300-A/D 4LVSC5.2-146-200-1300-HV	85V-280V /	80V-430V	1300W	5.2m³/h	146m	1.25"	2m	<430V	≥1.3*PUMP POWER
4LVSC7.5-80-150-1300-A/D 4LVSC7.5-80-150-1300-HV	85V-280V /	80V-430V	1300W	7.5m³/h	80m	1.25"	2m	<430V	≥1.3*PUMP POWER
4LVSC7.5-100-200-1500-A/D 4LVSC7.5-100-200-1500-HV	85V-280V /	80V-430V	1500W	7.5m³/h	100m	1.25"	2m	<430V	≥1.3*PUMP POWER
4LVSC11-60-200-1500-A/D 4LVSC11-60-200-1500-HV	85V-280V /	80V-430V	1500W	11m³/h	60m	2"	2m	<430V	≥1.3*PUMP POWER
4LVSC19-35-200-1500-A/D 4LVSC19-35-200-1500-HV	85V-280V /	80V-430V	1500W	19m³/h	35m	2"	2m	<430V	≥1.3*PUMP POWER
4LVSC25-26-200-1500-A/D 4LVSC25-26-200-1500-HV	85V-280V /	80V-430V	1500W	25m³/h	26m	2"	2m	<430V	≥1.3*PUMP POWER
4/6LVSC30-19-150-1100-A/D 4/6LVSC30-19-150-1100-HV	85V-280V /	80V-430V	1100W	30m³/h	19m	3"	2m	<430V	≥1.3*PUMP POWER
4/6LVDS30-31-200-1500-AD 4/6LVSC30-31-200-1500-HV	85V-280V /	80V-430V	1500W	36m³/h	22m	3"	2m	<430V	≥1.3*PUMP POWER
4/6LVSC36-22-200-1500-A/D 4/6LVSC36-22-200-1500-HV	85V-280V /	80V-430V	1500W	30m³/h	31m	3"	2m	<430V	≥1.3*PUMP POWER

HYDRAULIC PERFORMANCE CURVES



FREE SPARE PARTS



4LVSC-A/D 4LVSC-HV

4" AC/DC & WIDE VOLTAGE BRUSHLESS SOLAR PUMP WITH S/S IMPELLER



Stainless steel Impeller



Stainless steel oil cylinder



NSK Bearing



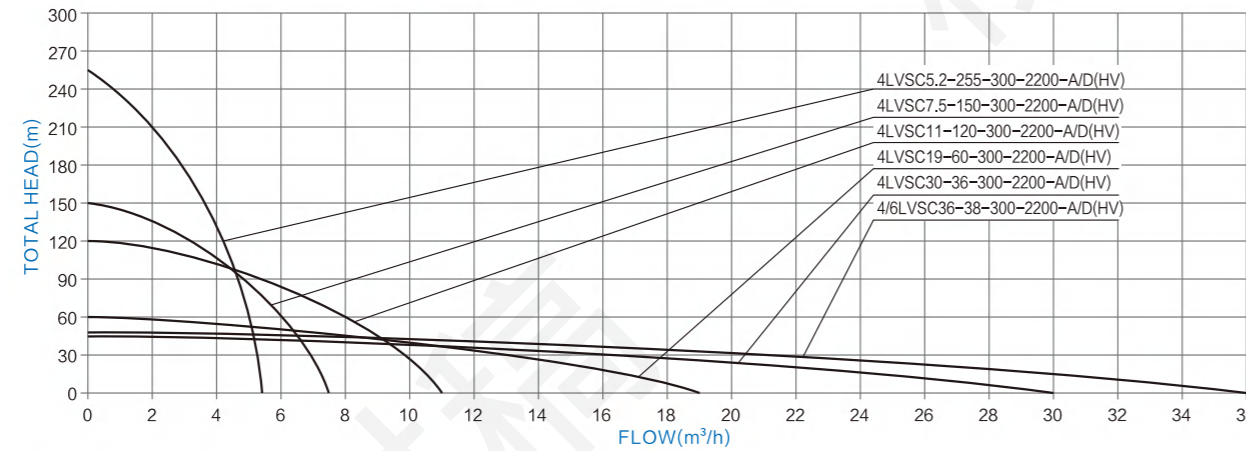
AC/DC auto-switching controller (≤2.2KW)

Wide Voltage HV Controller

TECHNICAL DATA

ITEM	(AC) Voltage	(DC) Voltage	Power	Max. Flow	Max. Head	Outlet	Cable	Solar panel	
								Open circuit voltage(VOC)	Power
4LVSC5.2-255-300-2200-A/D	85V-280V	80V-430V	2200W	5.2m³/h	255m	1.25"	2m	<430V	≥1.3*PUMP POWER
4LVSC5.2-255-300-2200-HV	/								
4LVSC7.5-150-300-2200-A/D	85V-280V	80V-430V	2200W	7.5m³/h	150m	1.25"	2m	<430V	≥1.3*PUMP POWER
4LVSC7.5-150-300-2200-HV	/								
4LVSC11-120-300-2200-A/D	85V-280V	80V-430V	2200W	11m³/h	120m	2"	2m	<430V	≥1.3*PUMP POWER
4LVSC11-120-300-2200-HV	/								
4LVSC19-60-300-2200-A/D	85V-280V	80V-430V	2200W	19m³/h	60m	2"	2m	<430V	≥1.3*PUMP POWER
4LVSC19-60-300-2200-HV	/								
4LVSC30-36-300-2200-A/D	85V-280V	80V-430V	2200W	30m³/h	36m	2"	2m	<430V	≥1.3*PUMP POWER
4LVSC30-36-300-2200-HV	/								
4/6LVSC36-38-300-2200-A/D	85V-280V	80V-430V	2200W	36m³/h	38m	3"	2m	<430V	≥1.3*PUMP POWER
4/6LVSC36-38-300-2200-HV	/								

HYDRAULIC PERFORMANCE CURVES



FREE SPARE PARTS



4LVPC-A/D (3KW-7.5KW)

4" AC/DC BRUSHLESS SOLAR PUMP WITH PLASTIC IMPELLER



Stainless steel outlet



Stainless steel connecting fitting



Stainless steel oil cylinder



Two designs for selection



Plastic Impeller



NSK Bearing



AC/DC auto-switching controller (5.5KW-22KW)



AC/DC auto-switching controller (3KW-4KW)



Copper outlet



Copper connecting fitting

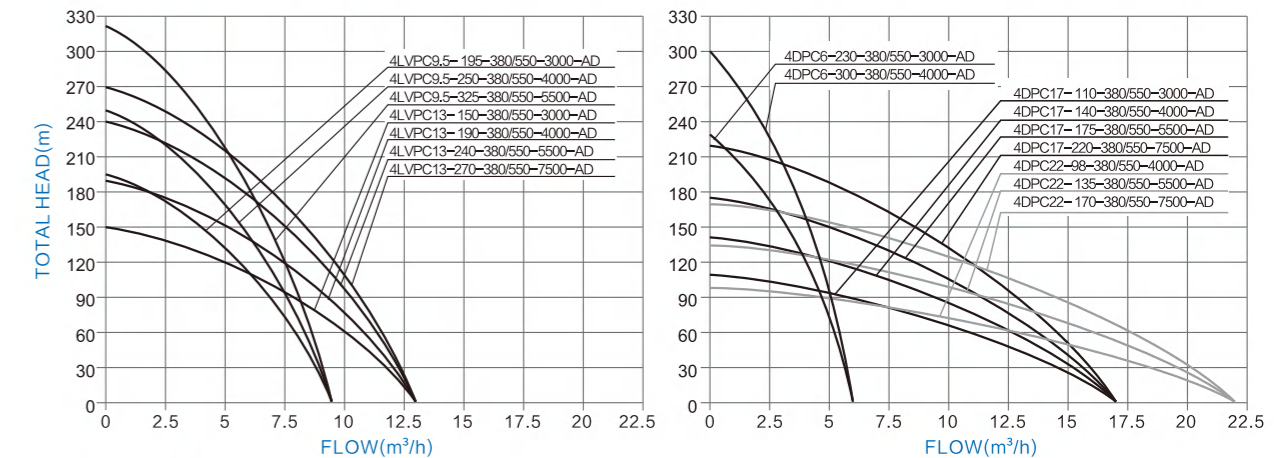


Copper oil cylinder

TECHNICAL DATA

ITEM	Voltage	Optimum input voltage (DC)	Power	Max. Flow	Max. Head	Outlet	Cable	Solar panel	
								Open circuit voltage(VOC)	Power
4LVPC6-230-380/550-3000-A/D	AC380/DC550V	520V-650V	3000W	6m³/h	230m	1.25"	2m	<780V	≥1.3*PUMP POWER
4LVPC6-300-380/550-4000-A/D	AC380/DC550V	520V-650V	4000W	6m³/h	300m	1.25"	2m	<780V	≥1.3*PUMP POWER
4LVPC9.5-195-380/550-3000-A/D	AC380/DC550V	520V-650V	3000W	9.5m³/h	195m	2"	2m	<780V	≥1.3*PUMP POWER
4LVPC9.5-250-380/550-4000-A/D	AC380/DC550V	520V-650V	4000W	9.5m³/h	250m	2"	2m	<780V	≥1.3*PUMP POWER
4LVPC9.5-325-380/550-5500-A/D	AC380/DC550V	520V-650V	5500W	9.5m³/h	325m	2"	2m	<780V	≥1.3*PUMP POWER
4LVPC13-150-380/550-3000-A/D	AC380/DC550V	520V-650V	3000W	13m³/h	150m	2"	2m	<780V	≥1.3*PUMP POWER
4LVPC13-190-380/550-4000-A/D	AC380/DC550V	520V-650V	4000W	13m³/h	190m	2"	2m	<780V	≥1.3*PUMP POWER
4LVPC13-240-380/550-5500-A/D	AC380/DC550V	520V-650V	5500W	13m³/h	240m	2"	2m	<780V	≥1.3*PUMP POWER
4LVPC13-270-380/550-7500-A/D	AC380/DC550V	520V-650V	7500W	13m³/h	270m	2"	2m	<780V	≥1.3*PUMP POWER
4LVPC17-110-380/550-3000-A/D	AC380/DC550V	520V-650V	3000W	17m³/h	110m	2"	2m	<780V	≥1.3*PUMP POWER
4LVPC17-140-380/550-4000-A/D	AC380/DC550V	520V-650V	4000W	17m³/h	140m	2"	2m	<780V	≥1.3*PUMP POWER
4LVPC17-175-380/550-5500-A/D	AC380/DC550V	520V-650V	5500W	17m³/h	175m	2"	2m	<780V	≥1.3*PUMP POWER
4LVPC17-220-380/550-7500-A/D	AC380/DC550V	520V-650V	7500W	17m³/h	220m	2"	2m	<780V	≥1.3*PUMP POWER
4LVPC22-98-380/550-4000-A/D	AC380/DC550V	520V-650V	4000W	22m³/h	98m	2"	2m	<780V	≥1.3*PUMP POWER
4LVPC22-135-380/550-5500-A/D	AC380/DC550V	520V-650V	5500W	22m³/h	135m	2"	2m	<780V	≥1.3*PUMP POWER
4LVPC22-170-380/550-7500-A/D	AC380/DC550V	520V-650V	7500W	22m³/h	170m	2"	2m	<780V	≥1.3*PUMP POWER

HYDRAULIC PERFORMANCE CURVES

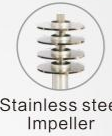


FREE SPARE PARTS

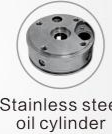


4LVSC-A/D

4" AC/DC BRUSHLESS SOLAR PUMP WITH S/S IMPELLER



Stainless steel Impeller



Stainless steel oil cylinder



NSK Bearing



AC/DC auto-switching controller (5.5KW-22KW)

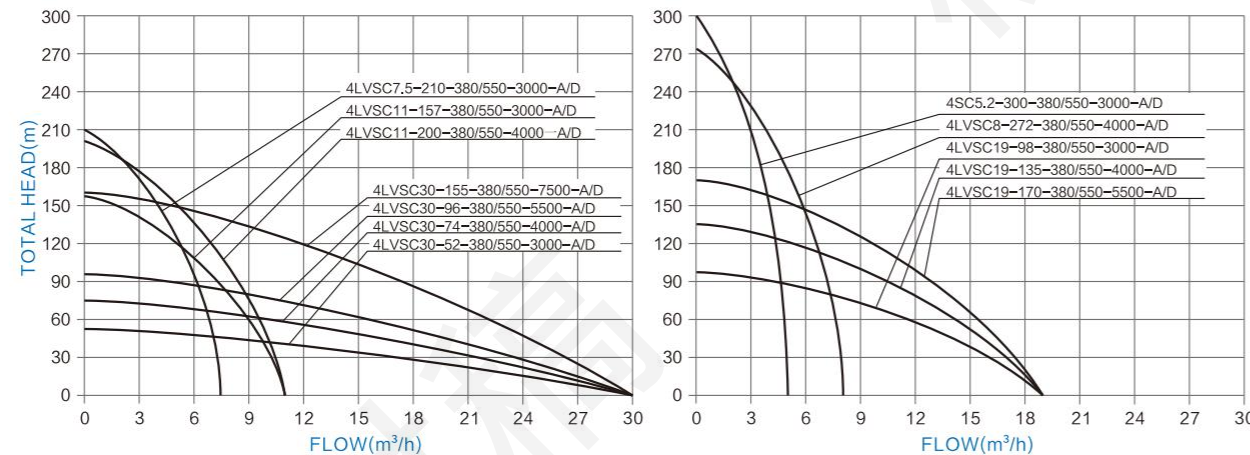


AC/DC auto-switching controller (3KW-4KW)

TECHNICAL DATA

ITEM	Voltage	Optimum input voltage (DC)	Power	Max. Flow	Max. Head	Outlet	Cable	Solar panel	
								Open circuit voltage(VOC)	Power
4LVSC5.2-300-380/550-3000-A/D	AC380/DC550V	520V-650V	3000W	5.2m³/h	300m	1.25"	2m	<780V	≥1.3*PUMP POWER
4LVSC7.5-210-380/550-3000-A/D	AC380/DC550V	520V-650V	3000W	7.5m³/h	210m	1.25"	2m	<780V	≥1.3*PUMP POWER
4LVSC8-272-380/550-4000-A/D	AC380/DC550V	520V-650V	4000W	8m³/h	272m	1.25"	2m	<780V	≥1.3*PUMP POWER
4LVSC11-157-380/550-3000-A/D	AC380/DC550V	520V-650V	3000W	11m³/h	157m	2"	2m	<780V	≥1.3*PUMP POWER
4LVSC11-200-380/550-4000-A/D	AC380/DC550V	520V-650V	4000W	11m³/h	200m	2"	2m	<780V	≥1.3*PUMP POWER
4LVSC19-98-380/550-3000-A/D	AC380/DC550V	520V-650V	3000W	19m³/h	98m	2"	2m	<780V	≥1.3*PUMP POWER
4LVSC19-135-380/550-4000-A/D	AC380/DC550V	520V-650V	4000W	19m³/h	135m	2"	2m	<780V	≥1.3*PUMP POWER
4LVSC19-170-380/550-5500-A/D	AC380/DC550V	520V-650V	5500W	19m³/h	170m	2"	2m	<780V	≥1.3*PUMP POWER
4LVSC30-52-380/550-3000-A/D	AC380/DC550V	520V-650V	3000W	30m³/h	52m	2"	2m	<780V	≥1.3*PUMP POWER
4LVSC30-74-380/550-4000-A/D	AC380/DC550V	520V-650V	4000W	30m³/h	74m	2"	2m	<780V	≥1.3*PUMP POWER
4LVSC30-96-380/550-5500-A/D	AC380/DC550V	520V-650V	5500W	30m³/h	96m	2"	2m	<780V	≥1.3*PUMP POWER
4LVSC30-155-380/550-7500-A/D	AC380/DC550V	520V-650V	7500W	30m³/h	155m	2"	2m	<780V	≥1.3*PUMP POWER

HYDRAULIC PERFORMANCE CURVES

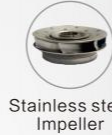


FREE SPARE PARTS

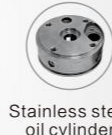


4/6LVSC-A/D

6" AC/DC BRUSHLESS SOLAR PUMP WITH S/S IMPELLER



Stainless steel Impeller



Stainless steel oil cylinder



NSK Bearing



AC/DC auto-switching controller (5.5KW-22KW)

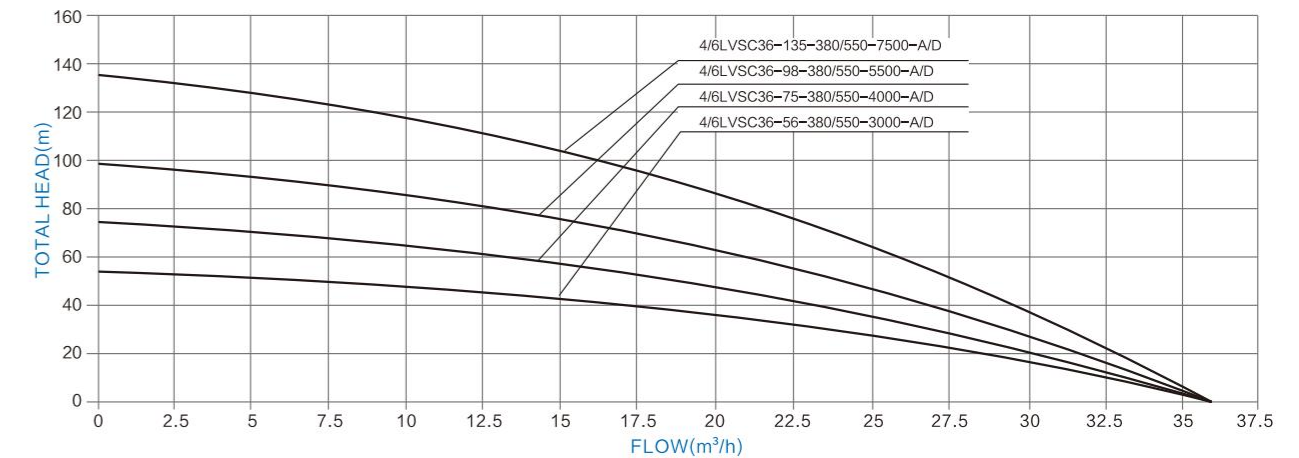


AC/DC auto-switching controller (3KW-4KW)

TECHNICAL DATA

ITEM	Voltage	Optimum input voltage (DC)	Power	Max. Flow	Max. Head	Outlet	Cable	Solar panel	
								Open circuit voltage(VOC)	Power
4/6LVSC36-56-380/550-3000-A/D	AC380/DC550V	520V-650V	3000W	36m³/h	56m	3"	2m	<780V	≥1.3*PUMP POWER
4/6LVSC36-75-380/550-4000-A/D	AC380/DC550V	520V-650V	4000W	36m³/h	75m	3"	2m	<780V	≥1.3*PUMP POWER
4/6LVSC36-98-380/550-5500-A/D	AC380/DC550V	520V-650V	5500W	36m³/h	98m	3"	2m	<780V	≥1.3*PUMP POWER
4/6LVSC36-135-380/550-7500-A/D	AC380/DC550V	520V-650V	7500W	36m³/h	135m	3"	2m	<780V	≥1.3*PUMP POWER

HYDRAULIC PERFORMANCE CURVES

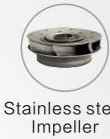


FREE SPARE PARTS



6LVSC-A/D

6" AC/DC BRUSHLESS SOLAR PUMP WITH S/S IMPELLER



Stainless steel Impeller



Stainless steel oil cylinder



NSK Bearing

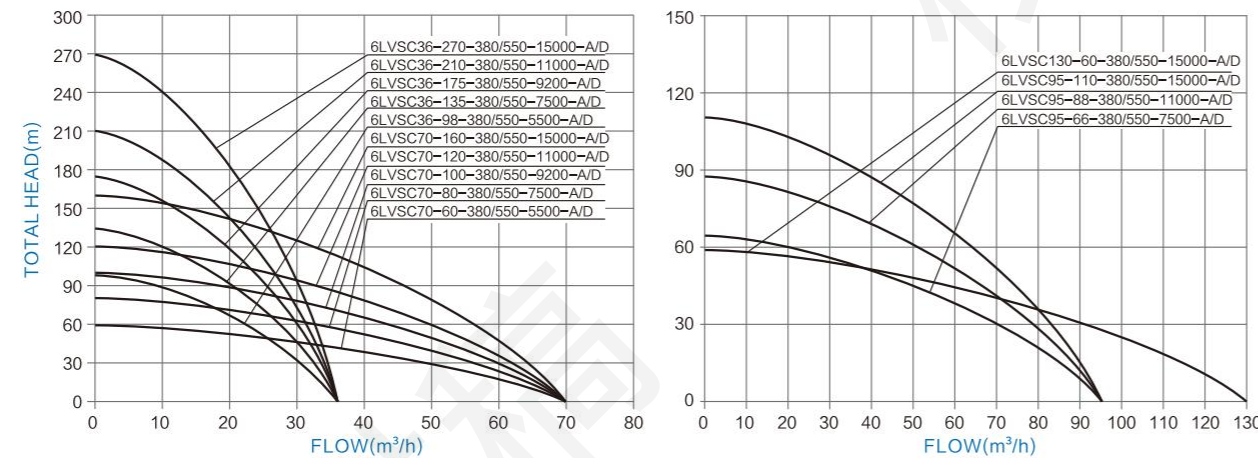


AC/DC auto-switching controller (5.5KW-22KW)

TECHNICAL DATA

ITEM	Voltage	Optimum input voltage (DC)	Power	Max. Flow	Max. Head	Outlet	Cable	Solar panel	
								Open circuit voltage (VOC)	Power
6LVSC36-98-380/550-5500-A/D	AC380/DC550V	520V-650V	5500W	36m³/h	98m	3"	2m	<780V	≥1.3*PUMP POWER
6LVSC36-135-380/550-7500-A/D	AC380/DC550V	520V-650V	7500W	36m³/h	135m	3"	2m	<780V	≥1.3*PUMP POWER
6LVSC36-175-380/550-9200-A/D	AC380/DC550V	520V-650V	9200W	36m³/h	175m	3"	2m	<780V	≥1.3*PUMP POWER
6LVSC36-210-380/550-11000-A/D	AC380/DC550V	520V-650V	11000W	36m³/h	210m	3"	2m	<780V	≥1.3*PUMP POWER
6LVSC36-270-380/550-15000-A/D	AC380/DC550V	520V-650V	15000W	36m³/h	270m	3"	2m	<780V	≥1.3*PUMP POWER
6LVSC70-60-380/550-5500-A/D	AC380/DC550V	520V-650V	5500W	70m³/h	60m	4"	2m	<780V	≥1.3*PUMP POWER
6LVSC70-80-380/550-7500-A/D	AC380/DC550V	520V-650V	7500W	70m³/h	80m	4"	2m	<780V	≥1.3*PUMP POWER
6LVSC70-100-380/550-9200-A/D	AC380/DC550V	520V-650V	9200W	70m³/h	100m	4"	2m	<780V	≥1.3*PUMP POWER
6LVSC70-120-380/550-11000-A/D	AC380/DC550V	520V-650V	11000W	70m³/h	120m	4"	2m	<780V	≥1.3*PUMP POWER
6LVSC70-160-380/550-15000-A/D	AC380/DC550V	520V-650V	15000W	70m³/h	160m	4"	2m	<780V	≥1.3*PUMP POWER
6LVSC95-66-380/550-7500-A/D	AC380/DC550V	520V-650V	7500W	95m³/h	66m	4"	2m	<780V	≥1.3*PUMP POWER
6LVSC95-88-380/550-11000-A/D	AC380/DC550V	520V-650V	11000W	95m³/h	88m	4"	2m	<780V	≥1.3*PUMP POWER
6LVSC95-110-380/550-15000-A/D	AC380/DC550V	520V-650V	15000W	95m³/h	110m	4"	2m	<780V	≥1.3*PUMP POWER
6LVSC130-60-380/550-15000-A/D	AC380/DC550V	520V-650V	15000W	130m³/h	60m	4"	2m	<780V	≥1.3*PUMP POWER

HYDRAULIC PERFORMANCE CURVES

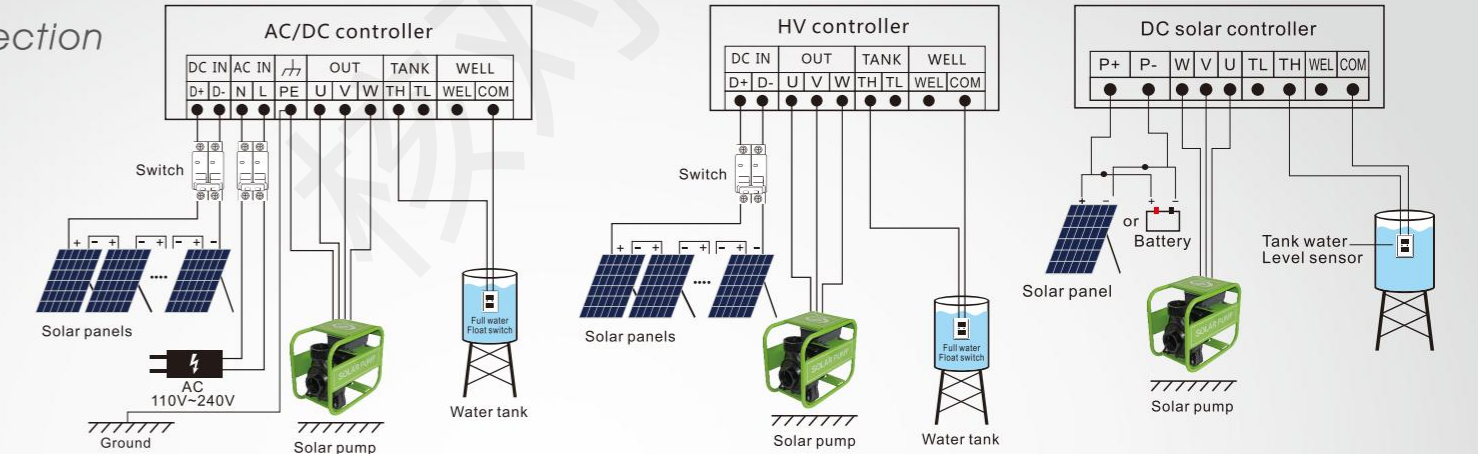


FREE SPARE PARTS



SOLAR SURFACE PUMP

Environmental protection and energy saving



LVCPM/DCPM-A/D LVCPM-HV

DC & AC/DC & WIDE VOLTAGE BRUSHLESS
CENTRIFUGAL SOLAR PUMP



DC controller



AC/DC auto-switching controller
(≤2.2KW)



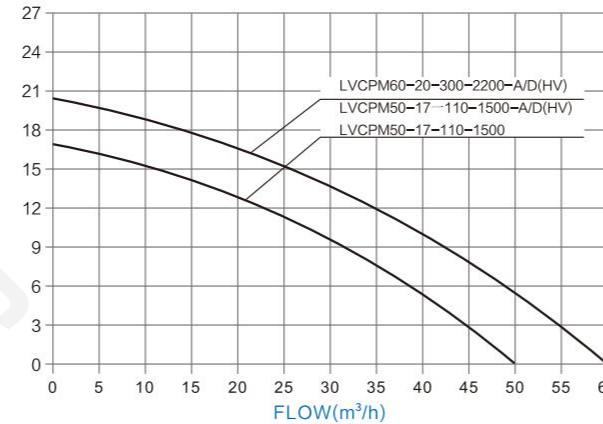
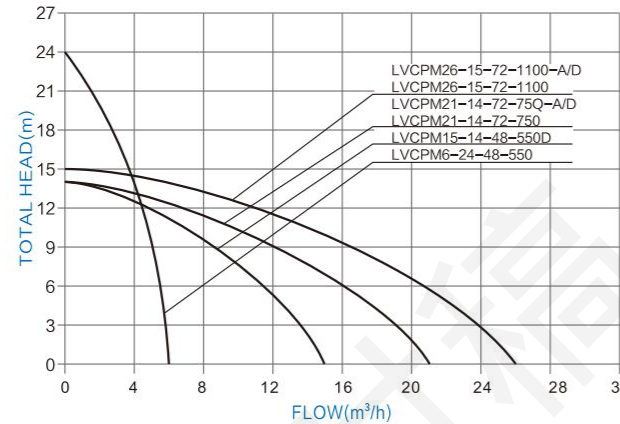
Wide Voltage HV
Controller

TECHNICAL DATA

ITEM	Voltage	Optimum input voltage (DC)	Power	Max. Flow	Max. Head	Outlet	Cable	Solar panel	
								Open circuit voltage(VOC)	Power
LVCPM6-24-48-550	48V	60V-90V	550W	6m³/h	24m	1"	0.6m	<105V	≥1.3*PUMP POWER
LVCPM15-14-48-550	48V	60V-90V	550W	15m³/h	14m	1.5"	0.6m	<105V	≥1.3*PUMP POWER
LVCPM21-14-72-750	72V	90V-120V	750W	21m³/h	14m	2"	0.6m	<160V	≥1.3*PUMP POWER
LVCPM26-15-72-1100	72V	90V-120V	1100W	26m³/h	15m	2"	0.6m	<160V	≥1.3*PUMP POWER
LVCPM50-17-110-1500	110V	110V-150V	1500W	50m³/h	17m	3"	0.6m	<210V	≥1.3*PUMP POWER

ITEM	(AC) Voltage	(DC) Voltage	Power	Max. Flow	Max. Head	Outlet	Cable	Solar panel	
								Open circuit voltage(VOC)	Power
LVCPM21-14-72-750-A/D	85V-280V	80V-430V	750W	21m³/h	14m	2"	0.6m	<430V	≥1.3*PUMP POWER
LVCPM26-15-72-1100-A/D	85V-280V	80V-430V	1100W	26m³/h	15m	2"	0.6m	<430V	≥1.3*PUMP POWER
LVCPM50-17-110-1500-A/D	85V-280V	80V-430V	1500W	50m³/h	17m	3"	0.6m	<430V	≥1.3*PUMP POWER
LVCPM50-17-110-1500-HV									
LVCPM60-20-300-2200-A/D	85V-280V	80V-430V	2200W	60m³/h	20m	4"	0.6m	<430V	≥1.3*PUMP POWER
LVCPM60-20-300-2200-HV									

HYDRAULIC PERFORMANCE CURVES



FREE SPARE PARTS



LVQB/DQB-A/D LVZB/DZB-A/D

DC AND AC/DC BRUSHLESS SURFACE
SOLAR PUMP



DQB



DZB



DC controller



AC/DC auto-switching controller
(≤2.2KW)

TECHNICAL DATA

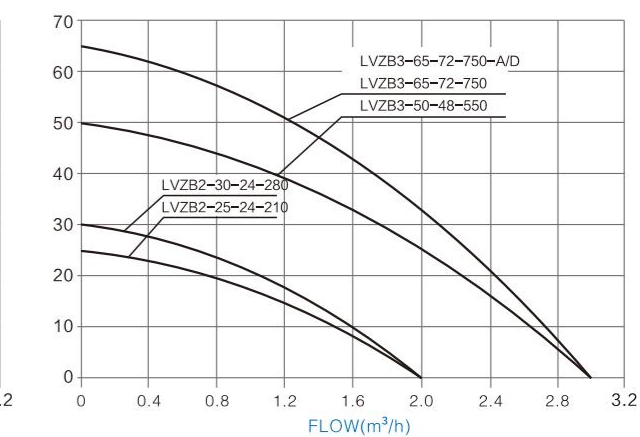
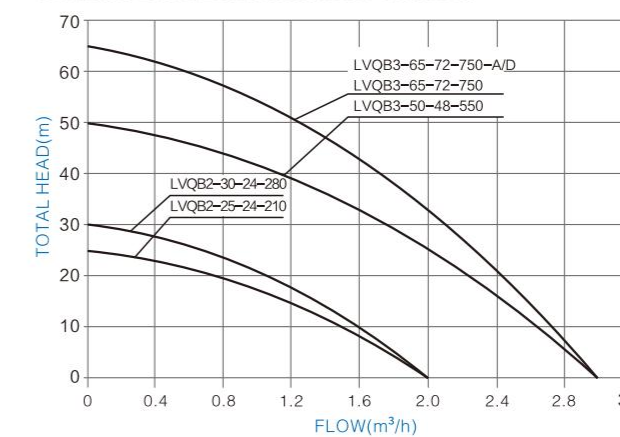
ITEM	Voltage	Optimum input voltage (DC)	Power	Max. Flow	Max. Head	Outlet	Cable	Solar panel	
								Open circuit voltage(VOC)	Power
LVB2-25-24-210	24V	30V-48V	210W	2m³/h	25m	1 × 1"	2m	<55V	≥1.3*PUMP POWER
LVB2-30-24-280	24V	30V-48V	280W	2m³/h	30m	1 × 1"	2m	<55V	≥1.3*PUMP POWER
LVB3-50-48-550	48V	60V-90V	550W	3m³/h	50m	1 × 1"	2m	<105V	≥1.3*PUMP POWER
LVB3-65-72-750	72V	90V-120V	750W	3m³/h	65m	1 × 1"	2m	<160V	≥1.3*PUMP POWER

ITEM	(AC) Voltage	(DC) Voltage	Power	Max. Flow	Max. Head	Outlet	Cable	Solar panel	
								Open circuit voltage(VOC)	Power
LVQB3-65-72-750-A/D	85V-280V	80V-430V	750W	3m³/h	65m	1 × 1"	2m	<430V	≥1.3*PUMP POWER

ITEM	Voltage	Optimum input voltage (DC)	Power	Max. Flow	Max. Head	Outlet	Cable	Solar panel	
								Open circuit voltage(VOC)	Power
LVZB2-25-24-210	24V	30V-48V	210W	2m³/h	25m	1 × 1"	2m	<55V	≥1.3*PUMP POWER
LVZB2-30-24-280	24V	30V-48V	280W	2m³/h	30m	1 × 1"	2m	<55V	≥1.3*PUMP POWER
LVZB3-50-48-550	48V	60V-90V	550W	3m³/h	50m	1 × 1"	2m	<105V	≥1.3*PUMP POWER
LVZB3-65-72-750	72V	90V-120V	750W	3m³/h	65m	1 × 1"	2m	<160V	≥1.3*PUMP POWER

ITEM	(AC) Voltage	(DC) Voltage	Power	Max. Flow	Max. Head	Outlet	Cable	Solar panel	
								Open circuit voltage(VOC)	Power
LVZB3-65-72-750-A/D	85V-280V	80V-430V	750W	3m³/h	65m	1"×1"	2m	<430V	≥1.3*PUMP POWER

HYDRAULIC PERFORMANCE CURVES



FREE SPARE PARTS

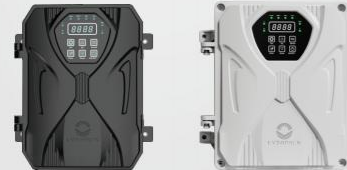


LVJET/LVJET-AD

DC AND AC/DC BRUSHLESS SURFACE SOLAR PUMP



DJET



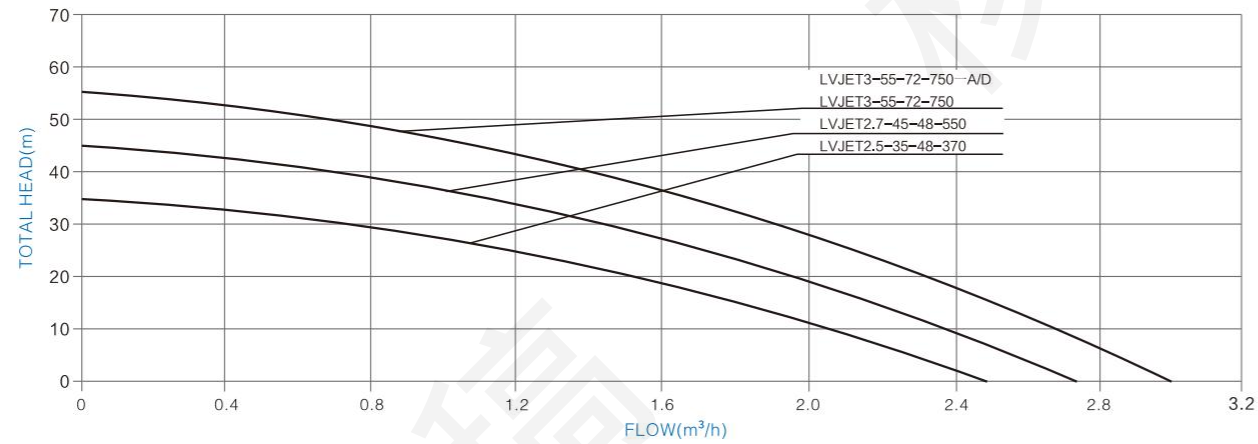
DC controller AC/DC auto-switching controller (≤2.2KW)

TECHNICAL DATA

ITEM	Voltage	Best DC Voltage	Power	Max. Flow	Max. Head	Outlet	Cable	Solar panel	
								open voltage	Power
LVJET2.5-35-48-370	48V	60V-90V	370W	2.5m³/h	35m	1"x1"	2m	<105V	≥1.3*PUMP POWER
LVJET2.7-45-48-550	48V	60V-90V	550W	2.5m³/h	45m	1"x1"	2m	<105V	≥1.3*PUMP POWER
LVJET3-55-72-750	72V	90V-120V	750W	3m³/h	55m	1"x1"	2m	<160V	≥1.3*PUMP POWER

ITEM	AC Voltage	DC Voltage	Power	Max. Flow	Max. Head	Outlet	Cable	Solar panel	
								open voltage	Power
LVJET3-55-72-750-A/D	85V-280V	80V-430V	750W	3m³/h	55m	1"x1"	2m	<430V	≥1.3*PUMP POWER

HYDRAULIC PERFORMANCE CURVES



FREE SPARE PARTS



LVJET/LVJET-AD

DC&AC/DC BRUSHLESS SWIMMING POOL SOLAR PUMP



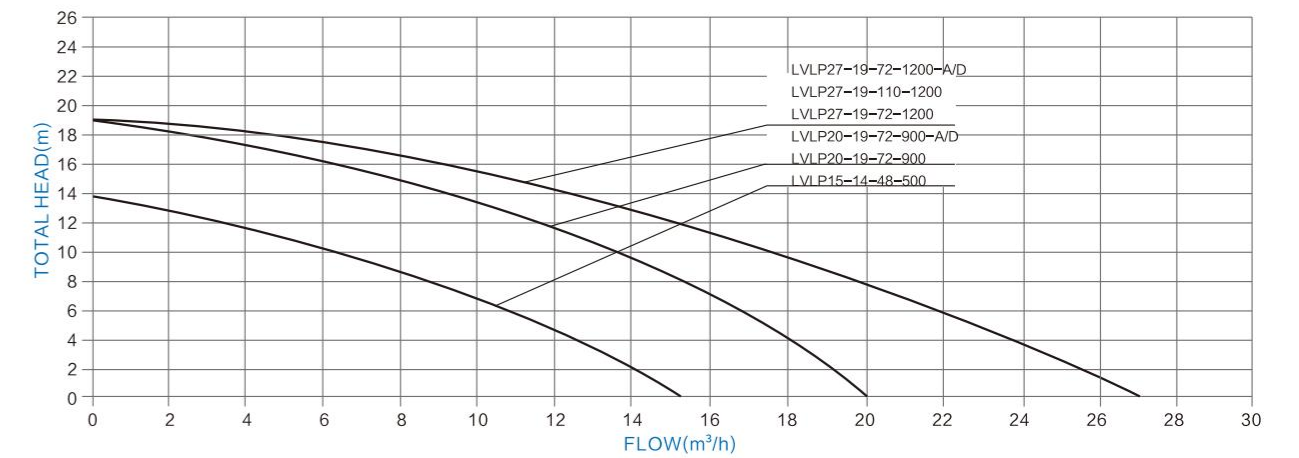
DC controller AC/DC auto-switching controller (≤2.2KW)

TECHNICAL DATA

ITEM	Voltage	Optimum input voltage (DC)	Power	Max. Flow	Max. Head	Outlet	Cable	Solar panel	
								Open circuit voltage(VOC)	Power
LVLP15-14-48-500	48V	60V-90V	500W	15m³/h	14m	2X2"	2m	<105V	≥1.3*PUMP POWER
LVLP20-19-72-900	72V	90V-120V	900W	20m³/h	19m	2X2"	2m	<160V	≥1.3*PUMP POWER
LVLP27-19-72-1200	72V	90V-120V	1200W	27m³/h	19m	3X3"	2m	<160V	≥1.3*PUMP POWER
LVLP27-19-110-1200	110V	110V-150V	1200W	27m³/h	19m	3X3"	2m	<210V	≥1.3*PUMP POWER

ITEM	(AC) Voltage	(DC) Voltage	Power	Max. Flow	Max. Head	Outlet	Cable	Solar panel	
								Open circuit voltage(VOC)	Power
LVLP20-19-72-900-A/D	85V-280V	80V-430V	900W	20m³/h	19m	2X2"	2m	<430V	≥1.3*PUMP POWER
LVLP27-19-72-1200-A/D	85V-280V	80V-430V	1200W	27m³/h	19m	3X3"	2m	<430V	≥1.3*PUMP POWER

PERFORMANCE CURVES



FREE SPARE PARTS



LVQDX/DODX-A/D

DC AND AC/DC SUBMERSIBLE SOLAR PUMP



DC controller

AC/DC auto-switching controller (≤2.2KW)

TECHNICAL DATA

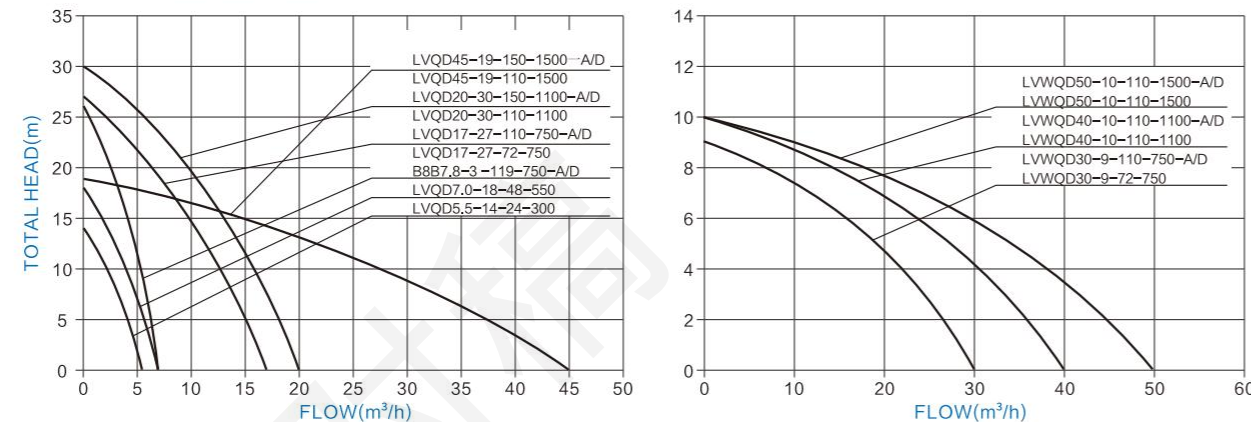
ITEM	Voltage	Best DC Voltage	Power	Max. Flow	Max. Head	Outlet	Cable	Solar panel	
								open voltage	Power
LVQD5.5-14-24-300	24V	30V-48V	300W	5.5m³/h	14m	1"	5m	<55V	≥1.3*PUMP POWER
LVQD7-18-48-550	48V	60V-90V	550W	7m³/h	18m	1"	5m	<105V	≥1.3*PUMP POWER
LVQD7-26-72-750	72V	90V-120V	750W	7m³/h	26m	1"	5m	<160V	≥1.3*PUMP POWER
LVQD17-27-72-750	72V	90V-120V	750W	17m³/h	27m	2"	5m	<160V	≥1.3*PUMP POWER
LVQD20-30-110-1100	110V	110V-150V	1100W	20m³/h	30m	2"	5m	<210V	≥1.3*PUMP POWER
LVQD45-19-110-1500	110V	110V-150V	1500W	45m³/h	19m	3"	5m	<210V	≥1.3*PUMP POWER

ITEM	(AC) Voltage	(DC) Voltage	Power	Max. Flow	Max. Head	Outlet	Cable	Solar panel	
								Open circuit voltage(VOC)	Power
LVQD7-26-110-750-A/D	85V-280V	80V-430V	750W	7m³/h	26m	1"	5m	<430V	≥1.3*PUMP POWER
LVQD17-27-110-750-A/D	85V-280V	80V-430V	750W	17m³/h	27m	2"	5m	<430V	≥1.3*PUMP POWER
LVQD20-30-150-1100-A/D	85V-280V	80V-430V	1100W	20m³/h	30m	2"	5m	<430V	≥1.3*PUMP POWER
LVQD45-19-150-1500-A/D	85V-280V	80V-430V	1500W	45m³/h	19m	3"	5m	<430V	≥1.3*PUMP POWER

ITEM	Voltage	Best DC Voltage	Power	Max. Flow	Max. Head	Outlet	Cable	Solar panel	
								open voltage	Power
LVWQD30-9-72-750	72V	90V-120V	750W	30m³/h	9m	3"	5m	<160V	≥1.3*PUMP POWER
LVWQD40-10-110-1100	110V	110V-150V	1100W	40m³/h	10m	3"	5m	<210V	≥1.3*PUMP POWER
LVWQD50-10-110-1500	110V	110V-150V	1500W	50m³/h	10m	3"	5m	<210V	≥1.3*PUMP POWER

ITEM	(AC) Voltage	(DC) Voltage	Power	Max. Flow	Max. Head	Outlet	Cable	Solar panel	
								Open circuit voltage(VOC)	Power
LVWQD30-9-110-750-A/D	85V-280V	80V-430V	750W	30m³/h	9m	3"	5m	<430V	≥1.3*PUMP POWER
LVWQD40-10-110-1100-A/D	85V-280V	80V-430V	1100W	40m³/h	10m	3"	5m	<430V	≥1.3*PUMP POWER
LVWQD50-10-110-1500-A/D	85V-280V	80V-430V	1500W	50m³/h	10m	3"	5m	<430V	≥1.3*PUMP POWER

PERFORMANCE CURVES



FREE SPARE PARTS



SOLAR AERATOR

BRUSHLESS SOLAR PUMP



Solar Aerator



Solar air oxygenator



DC controller

AC/DC auto-switching controller (≤2.2KW)



Solar Paddle Wheel Aerator



Solar Impeller Aerator

SOLAR AERATOR

ITEM	Voltage	Best input voltage(DC)	Power	Max. Flow	Max. Head	Outlet	Solar panel	
							Open circuit voltage(VOC)	Power
LVSA15-4.5-48-370	48V	60V-90V	370W	15m³/h	4.5m	3"	<105V	≥1.3*PUMP POWER
LVSA25-5-48-750	48V	60V-90V	750W	25m³/h	5m	3"	<105V	≥1.3*PUMP POWER
LVSA30-7-72-1100	72V	90V-120V	1100W	30m³/h	7m	3"	<160V	≥1.3*PUMP POWER
LVSA40-6-110-1500	110V	110V-150V	1500W	40m³/h	6m	3"	<210V	≥1.3*PUMP POWER
LVSA55-5-300-2200-A/D	AC220/DC300V	300V-400V	2200W	55m³/h	5m	4"	<430V	≥1.3*PUMP POWER

SOLAR AIR OXYGENATOR

ITEM	Voltage	Best input voltage(DC)	Power	Oxygenation rate(kg/h)	Covering Area(m²)	Solar panel	
						Open circuit voltage(VOC)	Power
LVSAO-48-750	48V	60V-90V	750W	≥1.1	666-2000	<105V	≥1.3*PUMP POWER
LVSAO-110-1500	110V	110V-150V	1500W	≥2.3	2000-4000	<210V	≥1.3*PUMP POWER
LVSAO-300-2200	AC220/DC300V	300V-400V	2200W	≥3.4	2665-5328	<430V	≥1.3*PUMP POWER

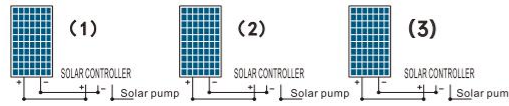
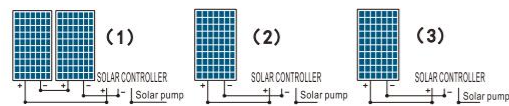

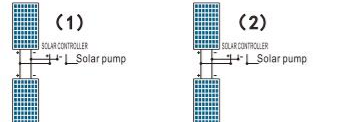
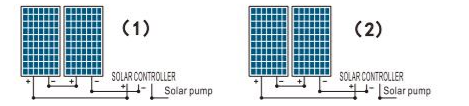
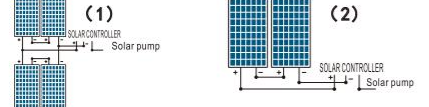
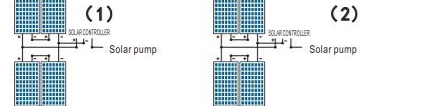
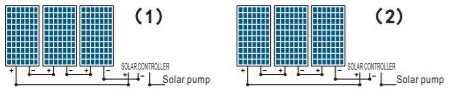
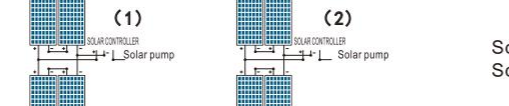
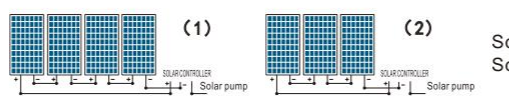
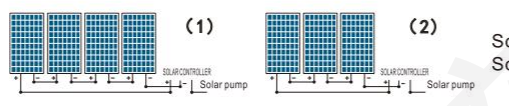
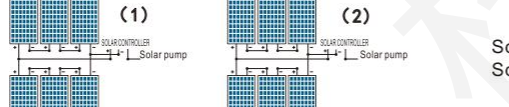
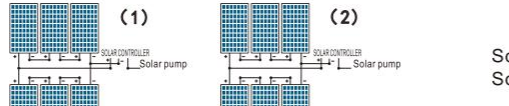
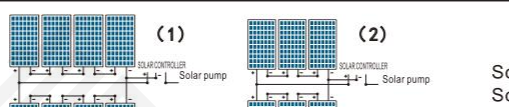
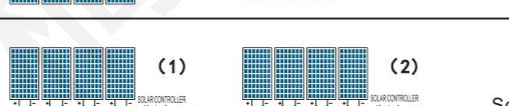
SOLAR PADDLE WHEEL AERATOR

ITEM	Voltage	Best input voltage(DC)	Power	Oxygenation rate(kg/h)	Covering Area(m²)	Impeller quantity	Solar panel	
							Open circuit voltage(VOC)	Power
LVSWA2-48-750	48V	60V-90V	750W	>1.1	666-3330	2	<105V	≥1.3*PUMP POWER
LVSWA4-110-1500	110V	110V-150V	1500W	>1.9	2000-6660	4	<210V	≥1.3*PUMP POWER
LVSWA6-300-2200-A/D	AC220/DC300V	300V-400V	2200W	>2.0	2665-8000	6	<430V	≥1.3*PUMP POWER

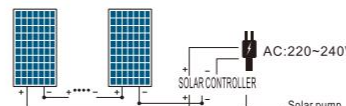
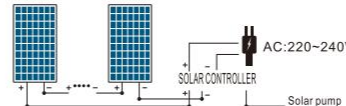
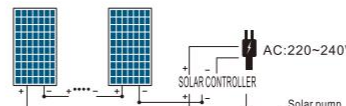
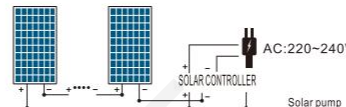
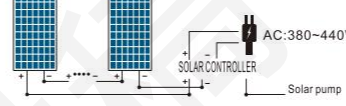
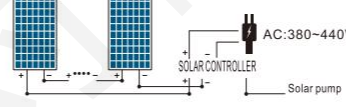
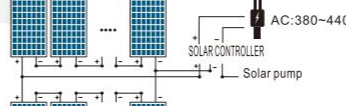
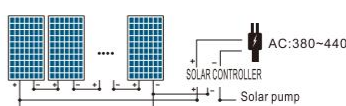
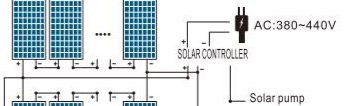
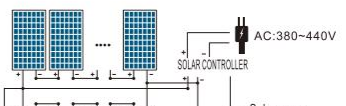
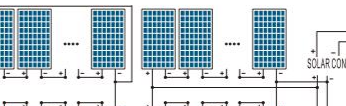
SOLAR IMPELLER AERATOR

ITEM	Voltage	Best input voltage(DC)	Power	Oxygenation rate(kg/h)	Covering Area(m²)	Solar panel	
						Open circuit voltage(VOC)	Power
LVSIA-48-750	48V	60V-90V	750W	≥1.1	666-2000	<105V	≥1.3*PUMP POWER
LVSIA-72-1100	72V	90V-120V	1100W	≥1.6	2000-2665	<160V	≥1.3*PUMP POWER
LVSIA-110-1500	110V	110V-150V	1500W	≥2.3	2000-4000	<210V	≥1.3*PUMP POWER
LVSIA-300-2200-A/D	AC220/DC300V	300V-400V	2200W	≥3.4	2665-5328	<430V	≥1.3*PUMP POWER

Solar panel recommendation for 12V-110V DC solar pump

PUMP POWER 80W-12V Voc: 18V~55V		Solar panel: 150W*1PCS Solar panel: 270W*1PCS Solar panel: 330W*1PCS
PUMP POWER 120W-24V 180W-24V 200W-24V 210W-24V 210W-36V Voc: 18V~55V		Solar panel: 150W*2PCS Solar panel: 270W*1PCS Solar panel: 330W*1PCS
PUMP POWER 280W-24V 300W-24V Voc: 18V~55V		Solar panel: 270W*2PCS Solar panel: 330W*1PCS
PUMP POWER 400W-36V Voc: 18V~55V		Solar panel: 270W*2PCS Solar panel: 330W*2PCS
PUMP POWER 370W-48V 400W-48V Voc: 30V~105V		Solar panel: 270W*2PCS Solar panel: 330W*2PCS
PUMP POWER 500W-48V 550W-48V Voc: 30V~105V		Solar panel: 270W*4PCS Solar panel: 330W*2PCS
PUMP POWER 600W-48V Voc: 30V~105V		Solar panel: 270W*4PCS Solar panel: 330W*4PCS
PUMP POWER 600W-72V Voc: 55V~160V		Solar panel: 270W*3PCS Solar panel: 330W*3PCS
PUMP POWER 750W-48V Voc: 30V~105V		Solar panel: 270W*4PCS Solar panel: 330W*4PCS
PUMP POWER 750W-72V Voc: 55V~160V		Solar panel: 270W*4PCS Solar panel: 330W*3PCS
PUMP POWER 900W-72V Voc: 55V~160V		Solar panel: 270W*4PCS Solar panel: 330W*3PCS
PUMP POWER 1100W-72V Voc: 55V~160V		Solar panel: 270W*6PCS Solar panel: 330W*6PCS
PUMP POWER 1100W-110V Voc: 60V~210V		Solar panel: 270W*6PCS Solar panel: 330W*6PCS
PUMP POWER 1300W-110V Voc: 60V~210V		Solar panel: 270W*8PCS Solar panel: 330W*6PCS
PUMP POWER 1500W-110V Voc: 60V~210V		Solar panel: 270W*8PCS Solar panel: 330W*8PCS

Solar panel recommendation for 220V-380V AC/DC & HV solar pump

PUMP POWER 750W-220V AC: 85V~280V DC: 80V~430V		Solar panel: 270W*3~7PCS Solar panel: 330W*4~6PCS
PUMP POWER 1100W-220V 1200W-220V AC: 85V~280V DC: 80V~430V		Solar panel: 270W*6~8PCS Solar panel: 330W*5~7PCS
PUMP POWER 1300W-220V 1500W-220V AC: 85V~280V DC: 80V~430V		Solar panel: 270W*8~9PCS Solar panel: 330W*6~8PCS
PUMP POWER 2200W-220V AC: 85V~280V DC: 80V~430V		Solar panel: 270W*10PCS Solar panel: 330W*8~9PCS
PUMP POWER 3000W-380V AC Vol. : 380V~440V DC Vol. : 480V~780V		Solar panel: 270W*15PCS Solar panel: 330W*12PCS
PUMP POWER 4000W-380V AC Vol. : 380V~440V DC Vol. : 480V~780V		Solar panel: 270W*19PCS Solar panel: 330W*15PCS
PUMP POWER 5500W-380V AC Vol. : 380V~440V DC Vol. : 480V~780V		Solar panel: 270W*26PCS Solar panel: 330W*22PCS
PUMP POWER 7500W-380V AC Vol. : 380V~440V DC Vol. : 480V~780V		Solar panel: 270W*36PCS Solar panel: 330W*30PCS
PUMP POWER 9200W-380V AC Vol. : 380V~440V DC Vol. : 480V~780V		Solar panel: 270W*45PCS Solar panel: 330W*36PCS
PUMP POWER 11000W-380V AC Vol. : 380V~440V DC Vol. : 480V~780V		Solar panel: 270W*54PCS Solar panel: 330W*42PCS
PUMP POWER 15000W-380V AC Vol. : 380V~440V DC Vol. : 480V~780V		Solar panel: 270W*76PCS Solar panel: 330W*60PCS